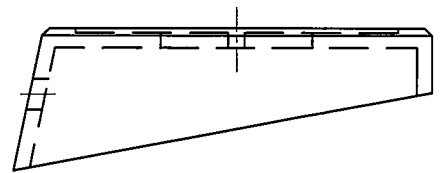
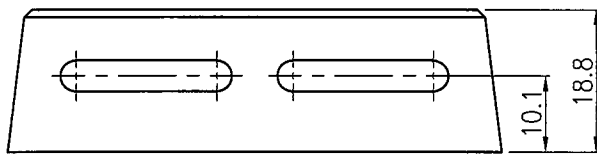
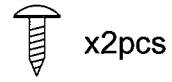
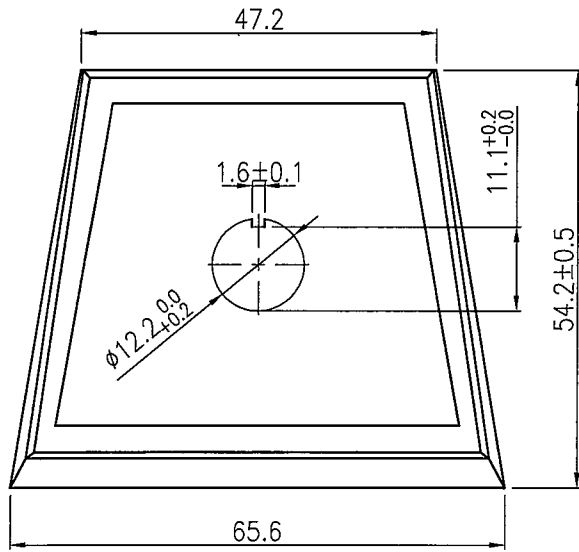


PR18-A1
Material: ABS, Black



Tolerances ± 0.3 Unless Otherwise Specified