

1000HE series

Compact & rugged fingertip controllers •
switching technology



DISTINCTIVE FEATURES

- One or two axis
- V4 Micro Switches up to 10 A
- Single or double pole
- 22 mm bush mounting
- Sealed up to IP67



ENVIRONMENTAL SPECIFICATIONS

- Operating Temperature: -20 °C to +50 °C (-4 °F to +122 °F)
- Sealing: IP67 with rubber boot (dependant on configuration)



ELECTRICAL SPECIFICATIONS

- Maximum Voltage Range: 30 VDC
- Nominal Current: 4 A - 10 A
- Number of Switches: 2, 4 or 8
- Contacts: 4 A • 30 VDC - V4 Gold
10 A - V4 • 30 VDC Silver
Right-angle - V4 silver 4 A • 30 VDC
Fast on style - V4 silver 4 A • 30 VDC
- Switch Contact: Changeover
- Contact Life: Load Dependent



MECHANICAL SPECIFICATIONS

- Mechanical Angle of Movement: 24° (12° from center)
- Mechanical Life: 1 million lifecycles (dependant on configuration)
- Mass/weight: 70 g (2.47 oz)



MATERIALS

- Shaft: Stainless steel
- Boot: Neoprene
- Housing: Mineral filled nylon-6
- Handles: BE Aluminum & phenolic; BH Aluminum

The company reserves the right to change specifications without notice.



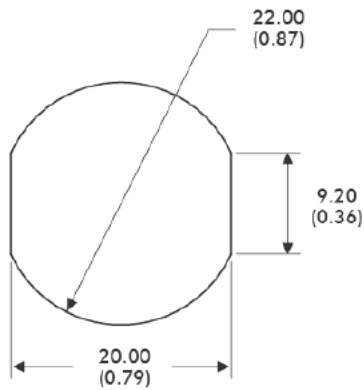
1000HE series

Compact & rugged fingertip controllers • switching technology



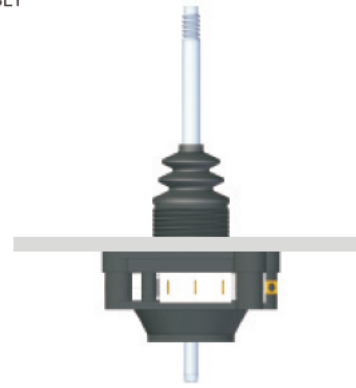
MOUNTING

PANEL CUT-OUT



NOTE: The joystick is mounted from beneath the panel.

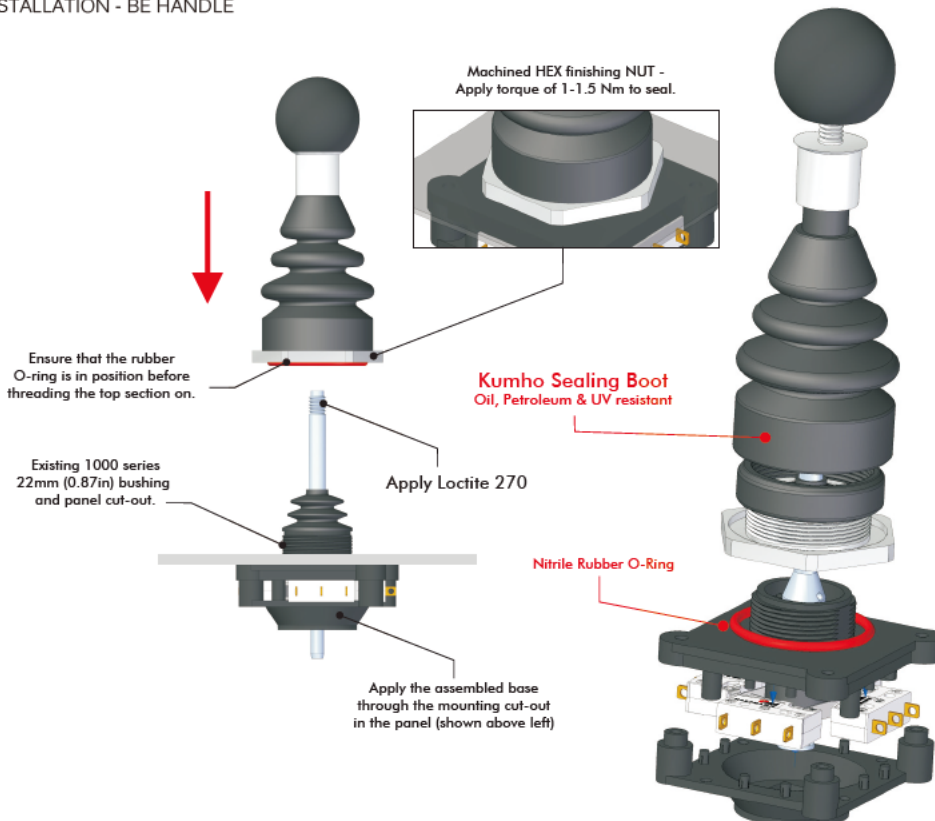
ASSEMBLY



Apply the assembly base through the mounting cut-out.



INSTALLATION - BE HANDLE



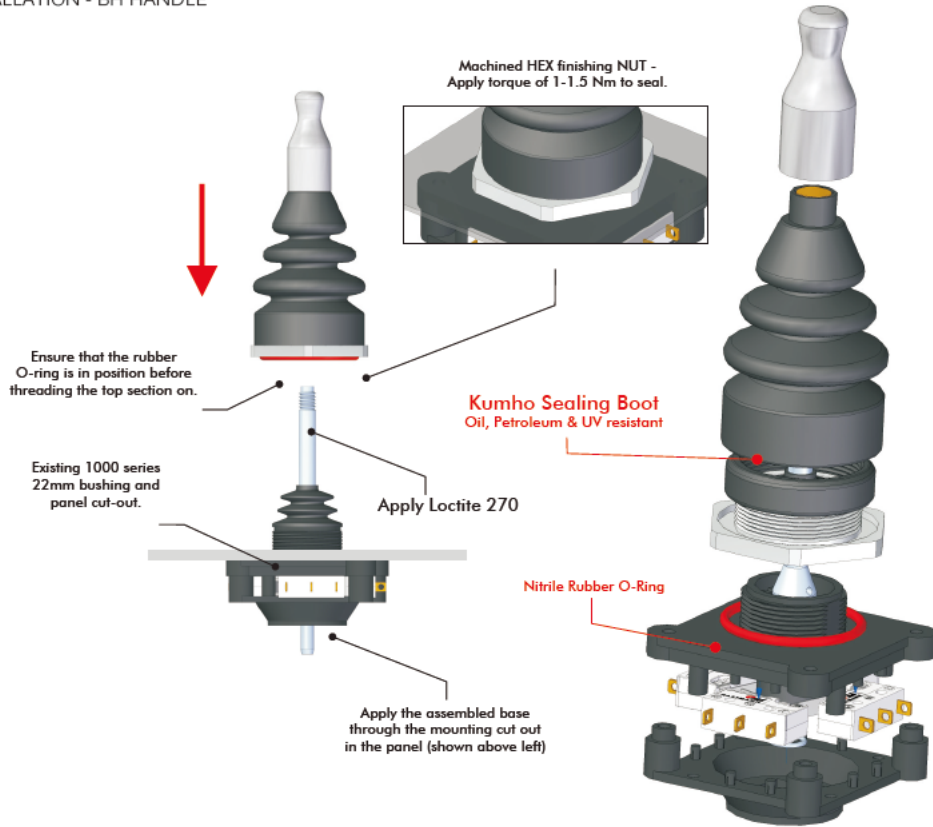
1000HE series

Compact & rugged fingertip controllers • switching technology




MOUNTING (CONTINUED)

INSTALLATION - BH HANDLE



1000HE series

Compact & rugged fingertip controllers • switching technology

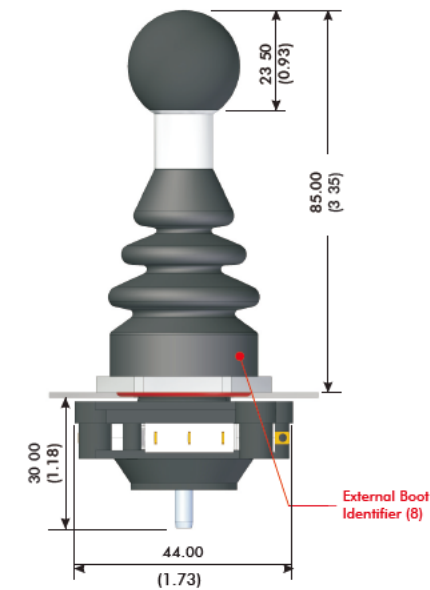
 BUILD YOUR PART NUMBER

[]	D	[]	Z	[]	08	[]
SWITCHES		POLES		HANDLE		MODIFIER
1 4 A - 30 VDC - V4		1 Single pole		BE Round		135 + Limiter F tted
3 10 A - 12 VDC - V4		2 Double pole		BH Toggle		136 - Limiter Fitted
4 Right angle V4 4 A - 30 VDC						
5 4 A - 30 VDC - V4 Fast-on style						

DIMENSIONS - BE HANDLE



NOTE: Double pole version is 27.5 mm (1.08 in) deep below panel



DIMENSIONS - BH HANDLE



NOTE: Users may still select their choice of V4 Micro switch and number of poles according to the standard 1000 series option list. Users may also select the joystick to have an open square gat (when no limiter is f tted) or a metal slot or cross lim ter factory fitted.

