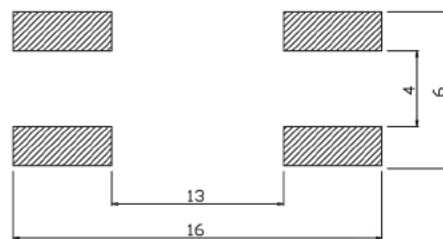
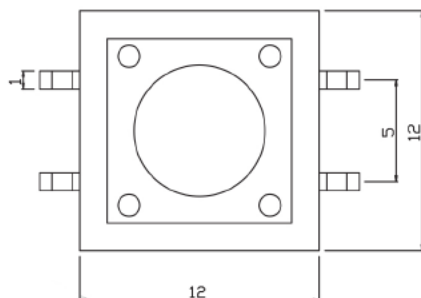
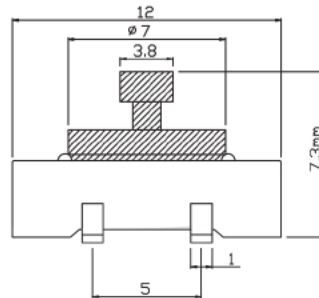
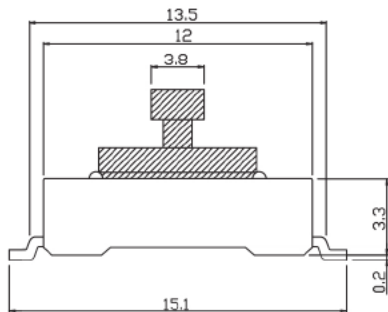


Specifications

| | |
|------------------------|-----------------|
| Rating: | 50mA 12VDC |
| Contact Resistance: | 50mΩ Max |
| Insulation Resistance: | 100MΩ Min |
| Dielectric Strength: | 250VAC 1 minute |
| Operating Temperature: | -20°C to +70°C |
| Electrical Life: | 100,000+ Cycles |
| Operating Force: | 180gf |



PCB LAYOUT

| Description | Ref Code |
|--|----------|
| 12x12x7.3mm SMT Momentary PCB Tactile Switch | 483123 |