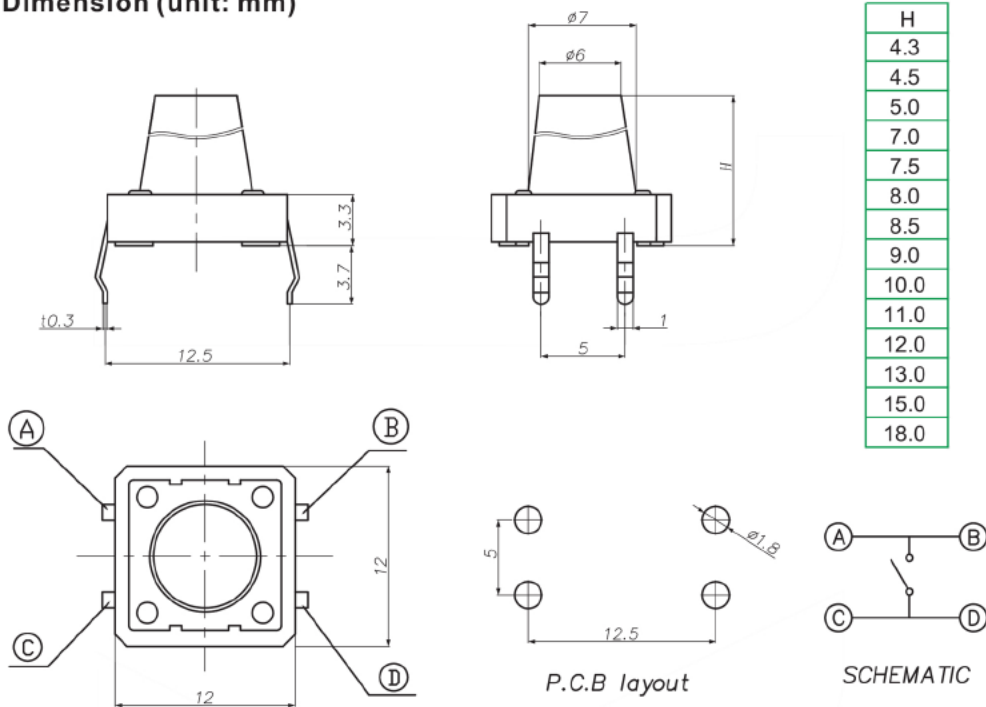


Specifications

Rating:	50mA 12VDC
Contact Resistance:	50mΩ Max
Insulation Resistance:	100MΩ Min
Dielectric Strength:	250VAC 1 minute
Operating Force:	180gf
Electrical Life:	100,000+ Cycles
Operating Temperature:	-30°C to +70°C

Dimension (unit: mm)



H
4.3
4.5
5.0
7.0
7.5
8.0
8.5
9.0
10.0
11.0
12.0
13.0
15.0
18.0

Description	Ref Code
12x12x9.5mm Momentary PCB Tactile Switch	122004