

# 1400N series

Momentary pushbutton switches •  
snap-in mounting • square plunger



## DISTINCTIVE FEATURES

Butt action contacts, double break

Solder lug, straight PC and quick-connect terminals



## ELECTRICAL SPECIFICATIONS

- Max. current/voltage rating with resistive load :
  - silver contacts (A) : 6 A 12 VDC
  - silver plated copper contacts (C) : 3 A 12 VDC
- Initial contact resistance : 10 m $\Omega$
- Insulation resistance : 1,000 M $\Omega$  min. at 500 VDC
- Dielectric strength :
  - 1,500 Vrms 50 Hz min. between terminals
  - 2,000 Vrms 50 Hz min. between terminals and metal panel
- Electrical life : 10,000 cycles at full load



## GENERAL SPECIFICATIONS

- Panel thickness : 2 mm (.078) max.
- Operating temperature : -20 °C to +55 °C (-4 °F to +131 °F)



## MATERIALS

- Case : polyamide
- Plunger : polyamide
- Contacts :
  - A : silver
  - C : gold plated silver

APEM products may be recycled at end-of-life for the re-claiming of valuable metal components.

The company reserves the right to change specifications without notice.

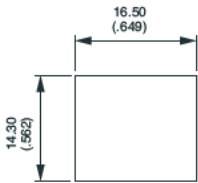


# 1400N series

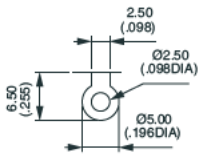
Momentary pushbutton switches •  
snap-in mounting • square plunger



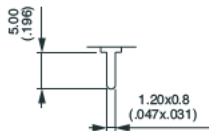
## PANEL CUT-OUT



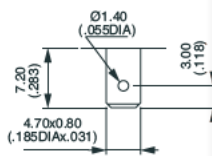
## TERMINALS



Solder lug



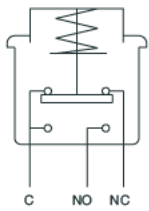
Straight PC



Quick-connect



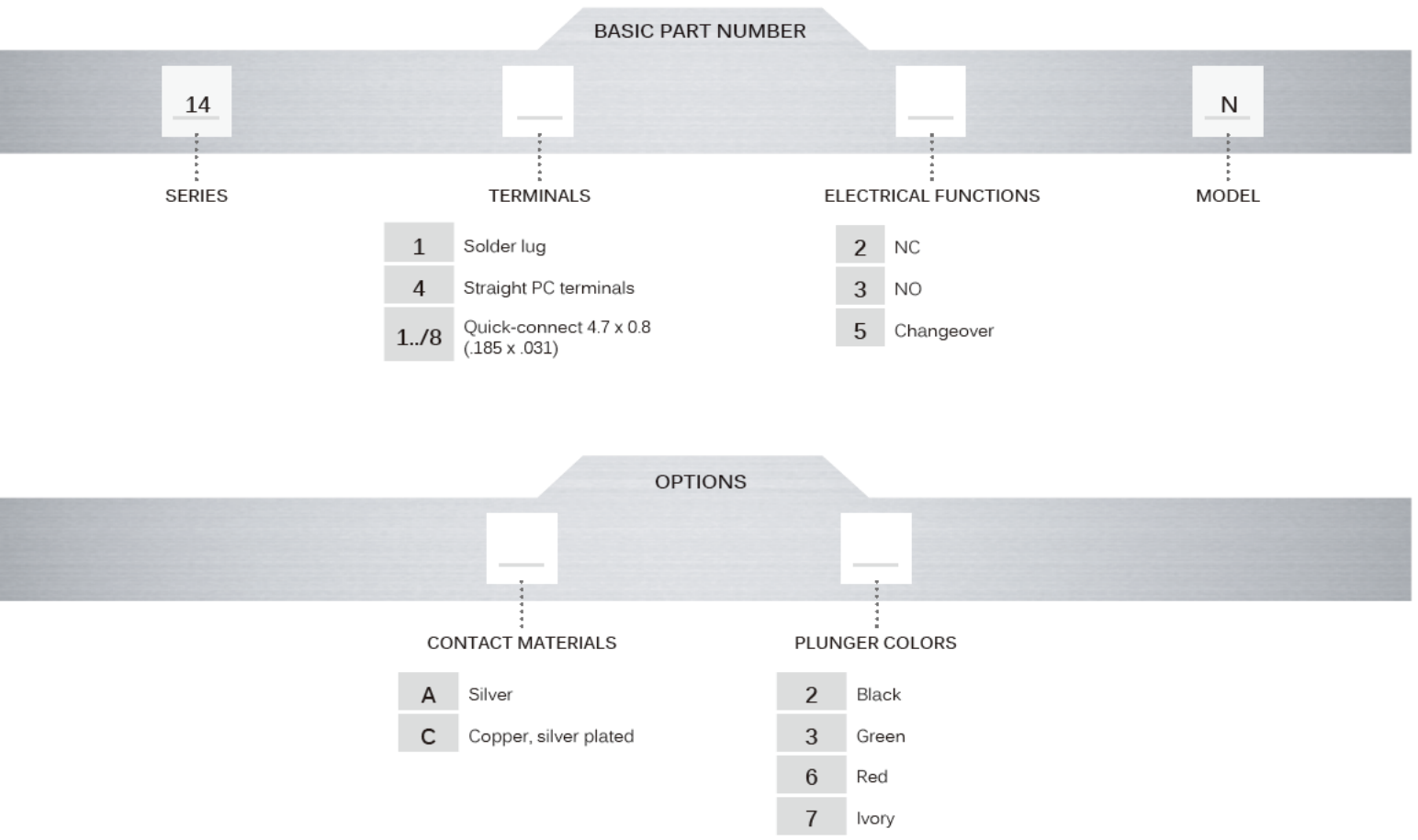
## ELECTRICAL FUNCTIONS



# 1400N series


Momentary pushbutton switches • snap-in mounting • square plunger

## BUILD YOUR PART NUMBER



## ABOUT THIS SERIES

On the following pages, you will find successively basic part numbers of switches and options in the same order as in above chart.




 **Notice :** please note that not all combinations of above numbers are available. Refer to following pages for further information.

# 1400N series

Momentary pushbutton switches • snap-in mounting • square plunger



## SOLDER LUG TERMINALS



- 1412N  Normally Closed
- 1413N  Normally Open
- 1415N  Changeover


## STRAIGHT PC TERMINALS

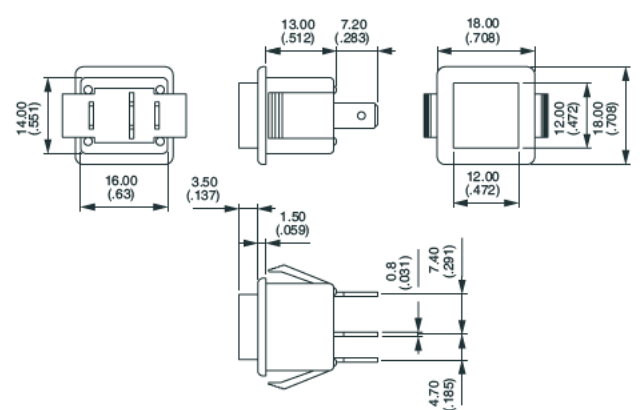
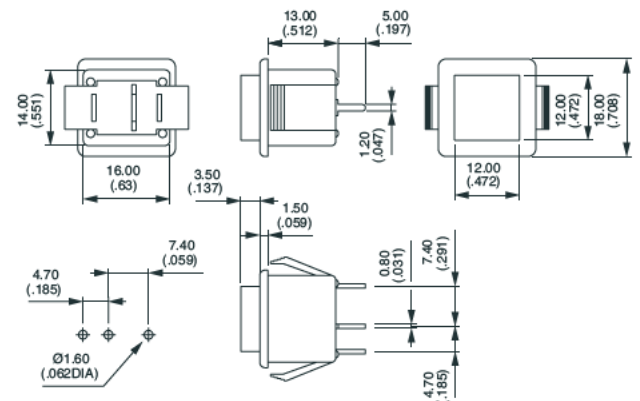
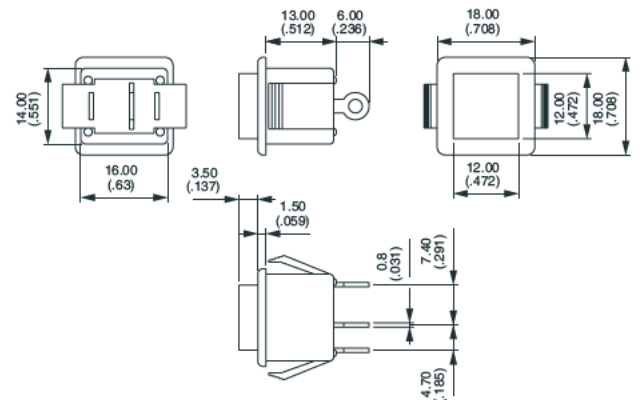


- 1442N  Normally Closed
- 1443N  Normally Open
- 1445N  Changeover

## QUICK-CONNECT TERMINALS 4.7 X 0.8 (.185 X .031)



- 1412N/8  Normally Closed
- 1413N/8  Normally Open
- 1415N/8  Changeover



## CONTACT MATERIALS



- A Silver
- C Copper, silver plated

# 1400N series

Momentary pushbutton switches •  
snap-in mounting • square plunger

## PLUNGER COLORS



- 2 Black (standard)
- 3 Green
- 6 Red
- 7 Ivory

ⓘ Switch frame supplied in black.