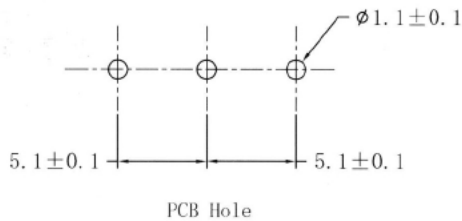
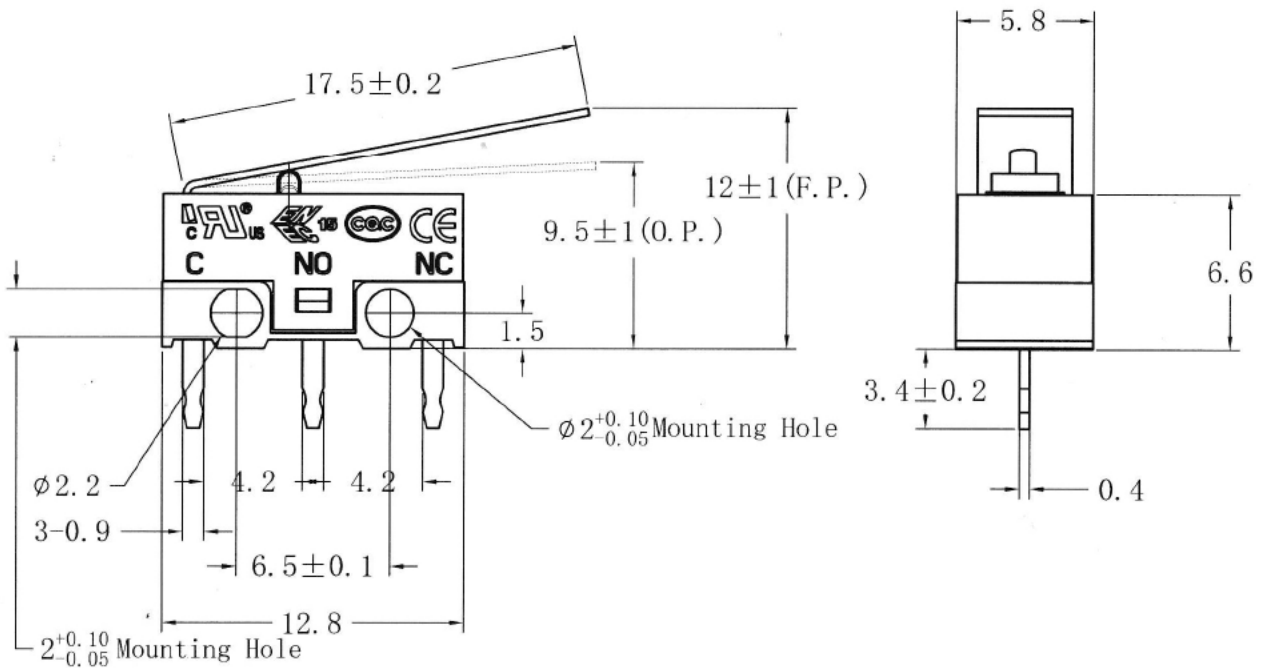


Specifications

Rating: 3A 250VAC
 Contact Resistance: 50mΩ Max
 Operating Force: 100gf



| Description | Ref Code |
|---|----------|
| 17mm Lever Subminiature PCB Microswitch SPDT 3A | 482274 |