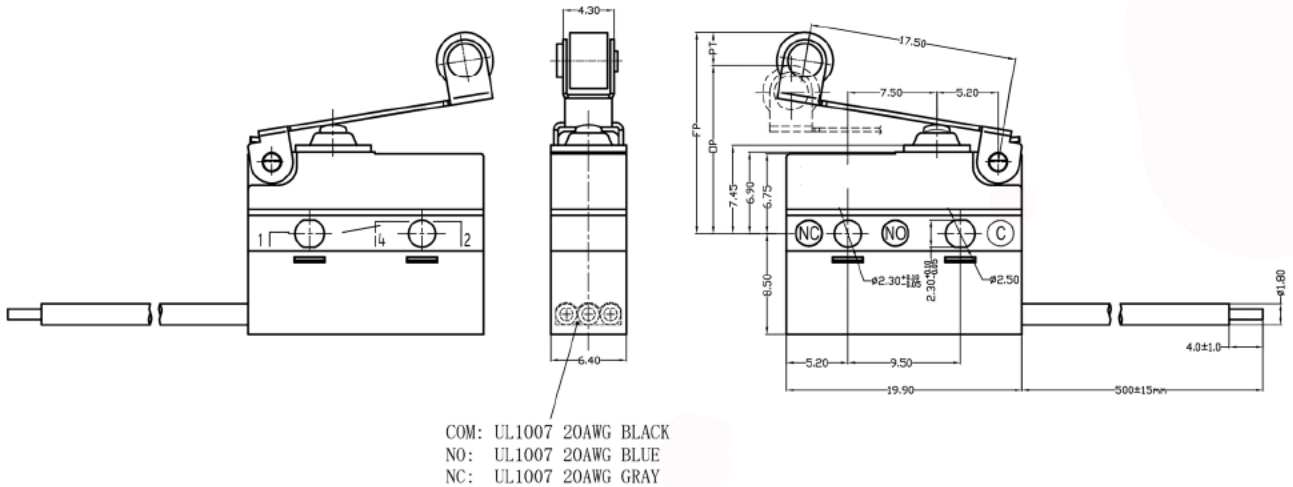
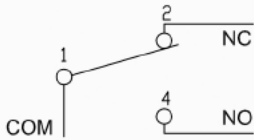


Specifications

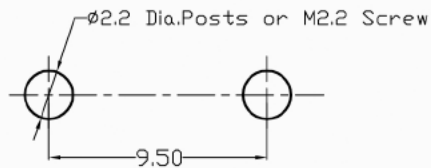
Rating:	3A 250VAC
Protection Level:	IP67
Operating Force:	110gf
Contact Resistance:	50mΩ Max
Insulation Resistance:	100MΩ Min 500VDC
Electrical Life:	100,000+ Cycles



Circuit Diagram



Mounting Hole Dimensions



Description	Ref Code
17mm Roller Lever Waterproof Prewired Microswitch SPDT 3A IP67	481700