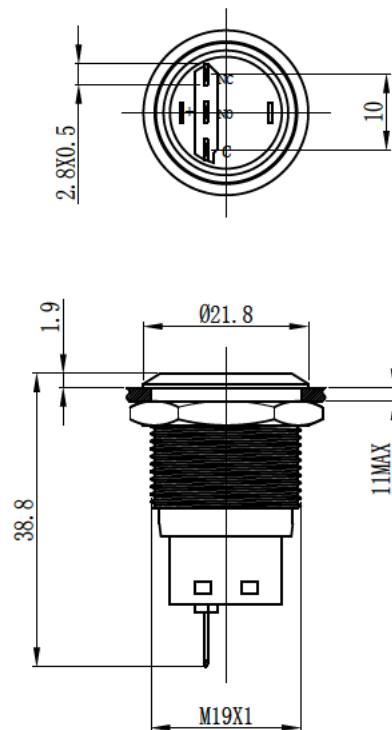
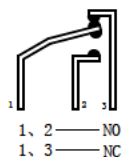


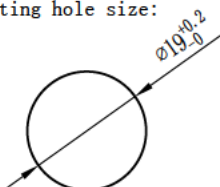
UNIT: mm (毫米)



开关结构说明:
Switch structure description:



安装孔尺寸:
Mounting hole size:



性能要求:

Performance requirements:

- 防护等级: IP40;
Protection grade: IP40;
- 接触电阻: ≤50mΩ;
Contact resistance: ≤50mΩ;
- 绝缘电阻: ≥100MΩ;
The insulation resistance: ≥100MΩ;
- 抗电强度: AC2500V, 1min, 无闪烁、击穿;
Electrical resistance: AC2500V, 1min, no flicker and breakdown;
- 寿命: 电气部分在额定负载下动作5万次无异常。
Life: Electrical part: operate 50,000 times under rated load without any abnormality.
机械部分: 动作50万次无异常;
Mechanical part: no abnormal movement for 500,000times.

技术要求:

Technical requirements:

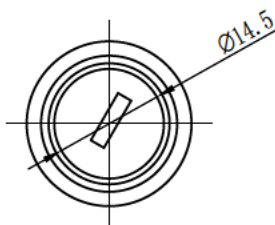
- 表面光洁, 平整无毛刺;
The surface is smooth without burr;
- 参数/批次字迹清晰, 无错位;
Clear handwriting of parameters/batches without any dislocation;
- 电气参数: Ith: 5A Ui: 250V;
electric parameter: 5A Ui: 250V;
- 工作环境温度: -25℃~+65℃;
Working environment temperature: -25℃~+65℃;
- 动作形式: 自复式; 自锁式;
Operation type: Momentary; Latching ;
- 动作行程: 约3.2mm;
Movement stroke: about 3.2mm
- 连接形式: 配套接插件/焊接导线;
Connection form: Matching connectors/Welding wire;
- 拧紧力矩: 约0.6Nm;
Tightening torque: about 0.6Nm;
- 开关组合: 1NO1NC;
Contact configuration: 1NO1NC;
- 外观材料: 按键: 不锈钢; 黄铜;
外壳: 不锈钢; 黄铜;
底座: PBT;
触点: 银合金;
Appearance material: Button surface: Stainless steel; Nickel-Plated Brass;
Housing: Stainless steel; Nickel-Plated Brass
Pedestal: PBT;
Contact silver alloy
- 未标注公差按照GB/T 1804-m级。
Unmarked tolerance shall be in accordance with GB/T 1804-m class.

描 图

描 校

底 图 号

装 订 号



DR	APPD.	SCALE.	countersign.	Date.	名称(TITLE): M19 Metal button switch M19金属按钮开关
制 图	审 核	比 例	会 签	日 期	
		1:1		2022. 8. 15	图号(DWG NO): HBS1-AGQ19F-11Y/21/J/S(N)
FW		P.			
单 重		页 码	第1页 共1页(1/1)		