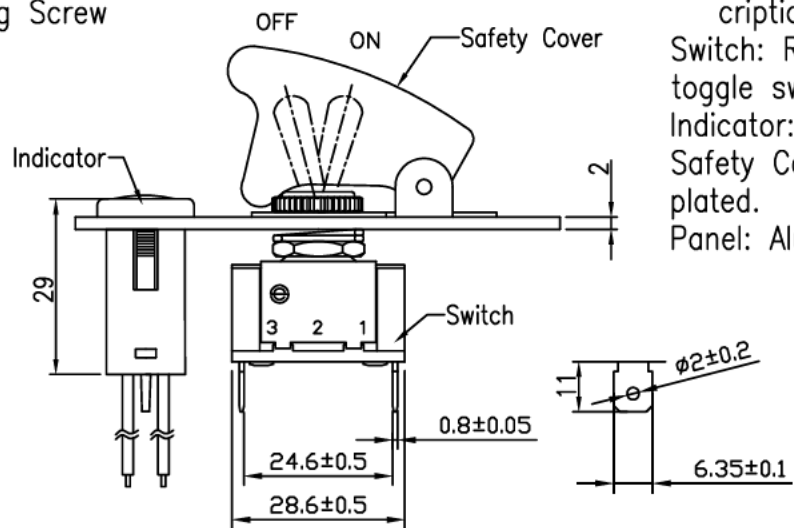


Rating	20A 12VDC, 10A 24VDC	Mounting Hole		Circuit Diagram	
Contact Resistance	50m ohm Max				
Insulation Resistance	DC 500V 100M ohm Min				
Dielectric Strength	AC 1500V 1minute				
Operation Temperature					
Switch Function	2P ON-OFF				

4Pcs Tapping Screw



criptions:
 Switch: R13-5, 2P SPST ON-OFF toggle switch.
 Indicator: R9-100L, Red LED.
 Safety Cover: R17-10, Bright red plated.
 Panel: Aluminum, Hair-line finished.

