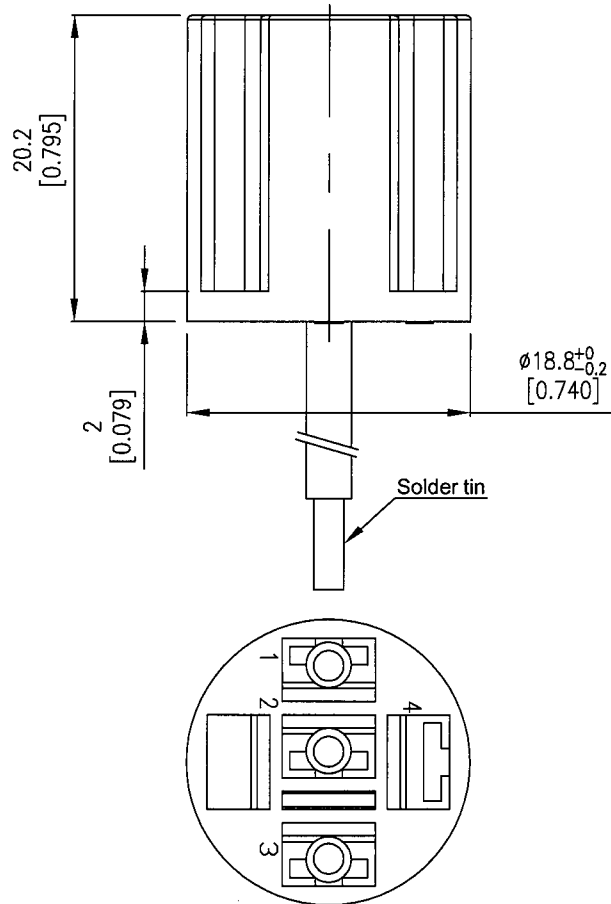
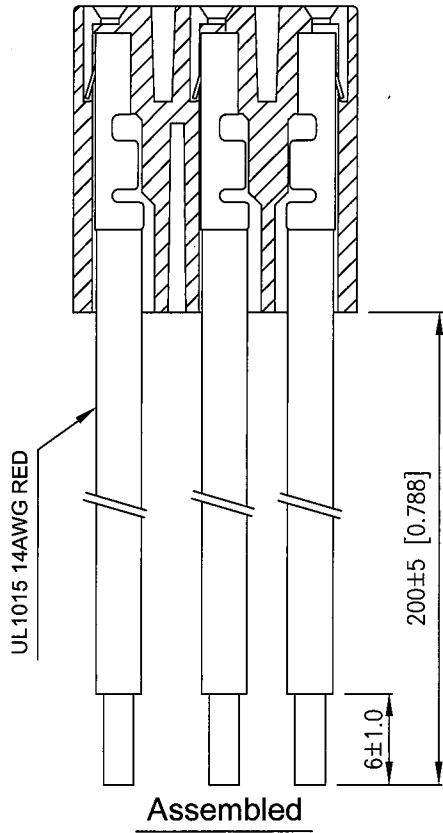
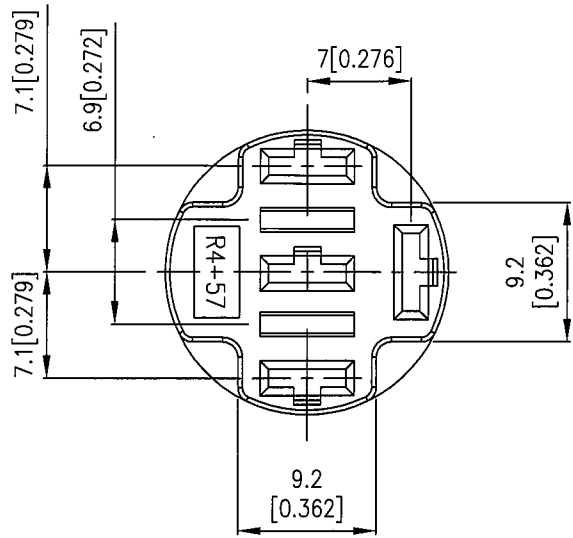


1. Material: Nylon6/6, 101L black
2. Housing used for .187* .03t(4.8*0.8t mm) terminal (WST D70433PS-2).
3. Ass'y drawing for reference only.
4. 3 leads assembled in #1, 2, 3.
5. 14 AWG wire.



Tolerances Unless Otherwise Specified ±0.3