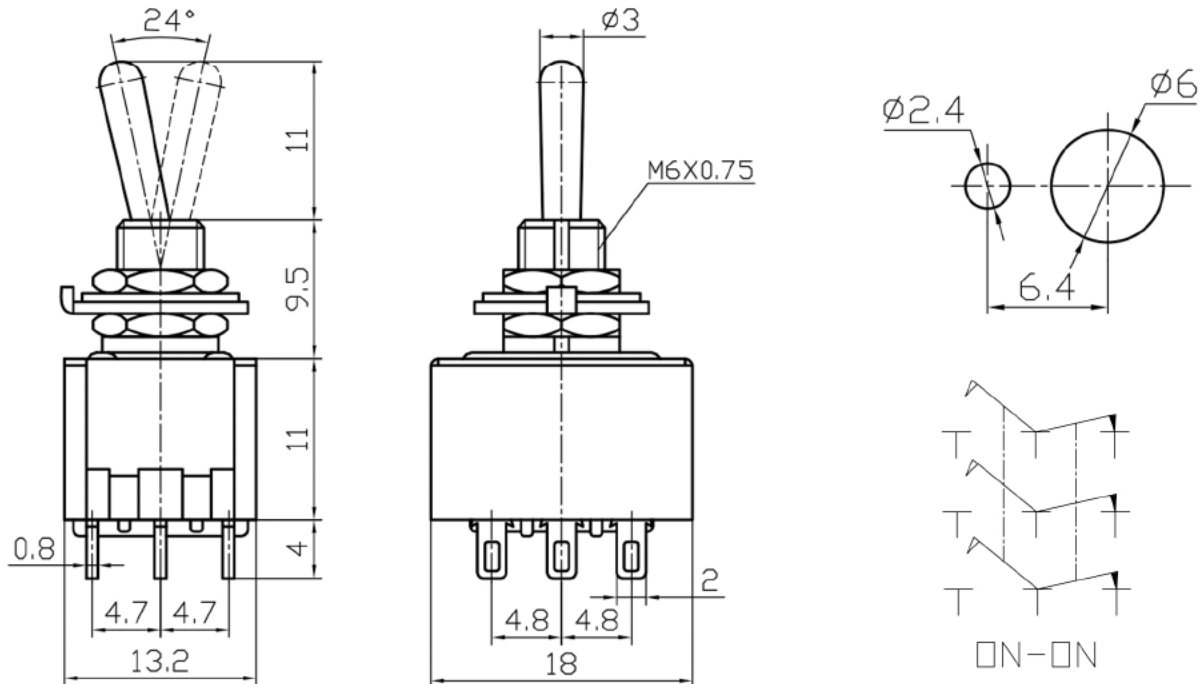


Specifications

Rating:	3A 250VAC, 6A 125VAC
Contact Resistance:	20mΩ Max
Insulation Resistance:	1000MΩ Min
Dielectric Strength:	1500VAC 1 minute
Operating Temperature:	-25°C to +85°C
Electrical Life:	10,000+ Cycles



Description	Ref Code
3PDT On-On Miniature Toggle Switch	112009