

600H-600NH series

Toggle switches • high amperage



DISTINCTIVE FEATURES

- Robust mechanism
- High current/voltage rating
- Insulated or metal lever
- UL, CSA and NF-VDE (EN 61058-1) approved



ELECTRICAL SPECIFICATIONS

- Max. current/voltage ratings : see tables below
- Peak current : 30 A max. during 1/2 sine, 250 VAC
- Initial contact resistance : 10 mΩ max.
- Insulation resistance : 1,000 MΩ min. at 500 VDC
- Dielectric strength :
2,000 Vrms 50 Hz min. between terminals
2,500 Vrms 50 Hz min. between terminals and frame
- Electrical life : 10,000 cycles at full load

APPROVED RATINGS				
Models	Functions	600H - 600NH		
		UL	CSA	NF-VDE
		UL 1054	CSA 22-2	EN 61058-1
Single and double pole	ON - OFF (1)	15 A 1/2 HP 125-250 VAC		10(4) A 400 VAC T 85/55 (600H)
	ON - ON (6)			
	Other (4-5-7-8-9)	10 A 1/2 HP 125-250 VAC		
Three pole	ON - OFF (1) & ON - ON (6)	15 A 1/2 HP 125-250 VAC		T 125/55 (600NH)
	MOM - ON (5)	-		
	Other (7-8-9)	10 A 1/2 HP 125-250 VAC		

FOR INFORMATION		
Max. current/voltage rating w. resistive load		
Functions	Ratings	Electrical life
ON - OFF ON - ON	15 A 250 VAC 10 A 24 VDC 15 A 12 VDC	10,000 cycles
ON OFF ON	15 A 250 VAC 5 A 24 VDC	6,000 cycles 10,000 cycles
Other	15 A 125 VAC 12 A 250 VAC 5 A 24 VDC	10,000 cycles



The company reserves the right to change specifications without notice.

600H-600NH series

Toggle switches • high amperage



GENERAL SPECIFICATIONS

- Torque : 1.50 Nm (1.10 Ft.lb) max. applied to nut
- Panel thickness : 4.5 mm (.177) max. between 2 nuts
- Operating temperature : -20 °C to +55 °C (-4 °F to +131 °F)



MATERIALS

- Case : polyester UL94-V0
- Actuator :
 - 600H : brass, nickel plated
 - 600NH : black polyamide
- Bushing : brass, nickel plated or zinc die-cast (zamak)
- Contacts : silver/nickel alloy

APEM products may be recycled at end-of-life for the re-claiming of valuable metal components.

AGENCY APPROVALS



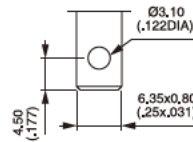
EN 61058-1 EN 61058-1

Availability : see chart on previous page.

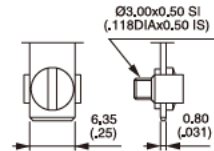
Marking : approved models are standard marked.



TERMINALS



600H/2 & 600NH/2

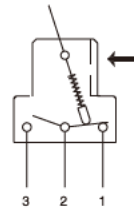


600H & 600NH

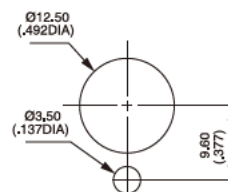
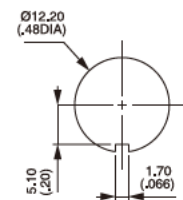
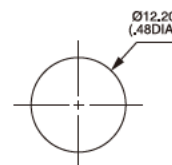


ELECTRICAL FUNCTIONS

→ KEYWAY



PANEL CUT-OUT

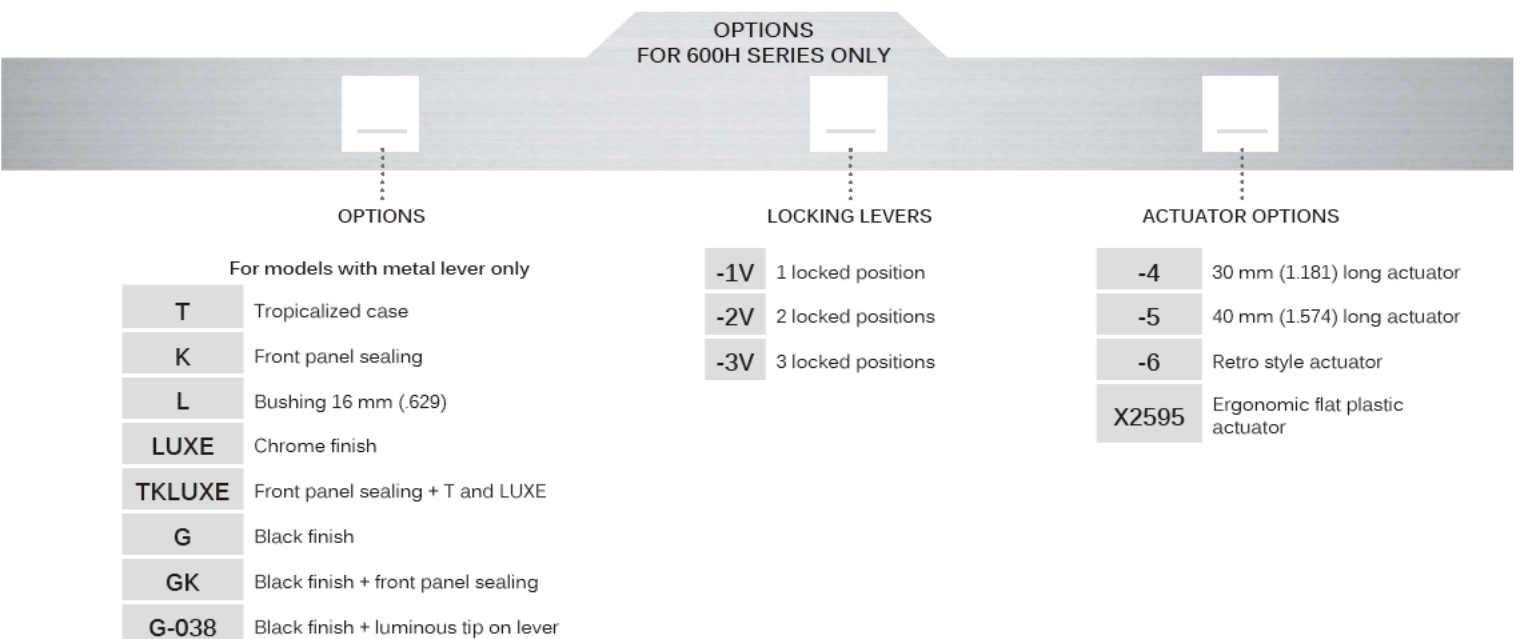
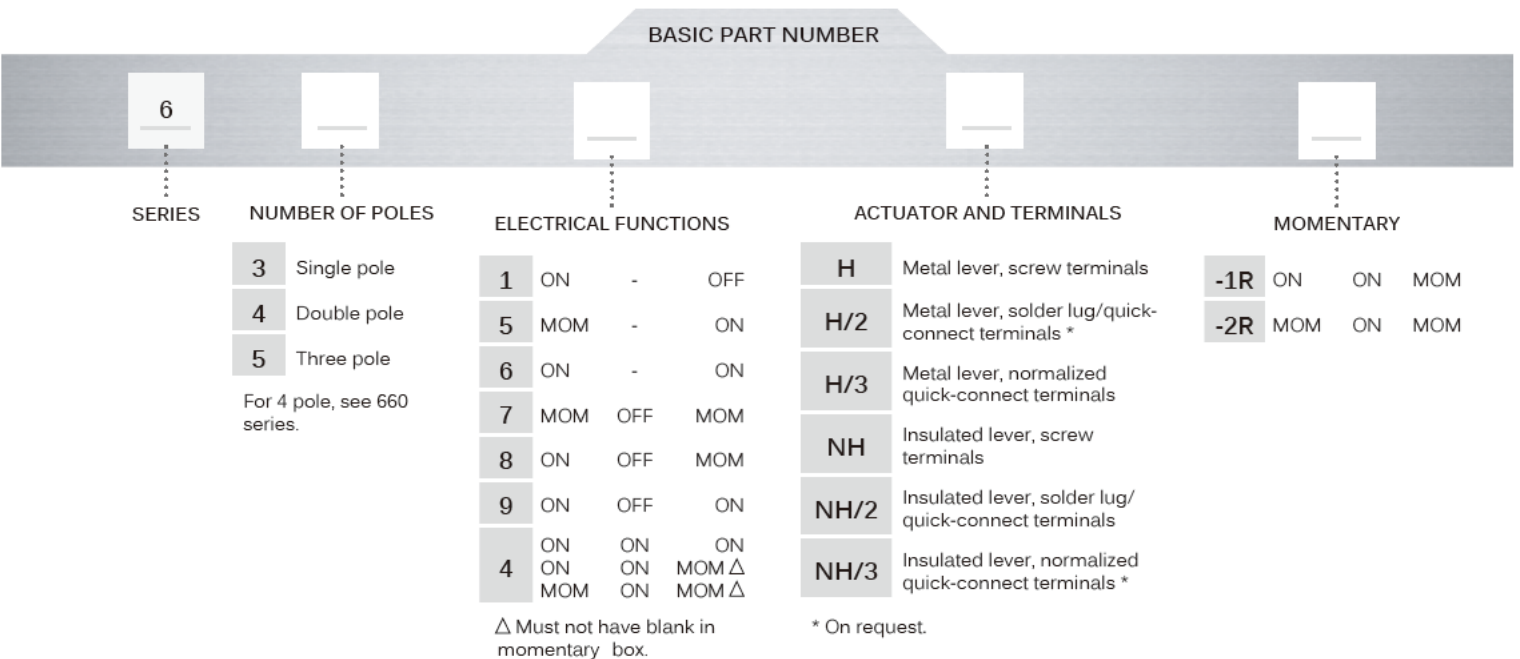


600H-600NH series

Toggle switches • high amperage



BUILD YOUR PART NUMBER



ABOUT THIS SERIES

On the following pages, you will find successively basic part numbers of switches and options in the same order as in above chart.

- ⓘ **Notice** : please note that not all combinations of above numbers are available. Refer to following pages for further information.
- ⓘ **Switch guards** are available to prevent inadvertent lever operation. See "Switch Guards" section on website.
- ⓘ **Sealing boots** are available on 600H series to protect the switches against dust and water. See "Sealing Boots" section of website.
- ⓘ **Mounting accessories** : standard hardware supplied with all models :
 - 600H series : 1 hex nut U166 and 1 knurled nut U411
 - 600NH series : 1 hex nut U166 and 1 knurled nut U522

600H-600NH series

Toggle switches • high amperage

METAL LEVER - SINGLE POLE



Solder lug	Screw	A	III 2-1	II	I 2-3
631H/2	631H	30° ON	-	OFF	
635H/2	635H	26° MOM	-	ON	
636H/2	636H	30° ON	-	ON	
637H/2	637H	30° MOM	OFF	MOM	
638H/2	638H	36° ON	OFF	MOM	
639H/2	639H	36° ON	OFF	ON	

METAL LEVER - DOUBLE POLE



Solder lug	Screw	A	III 2-1 5-4	II	I 2-3 5-6
641H/2	641H	26° ON	-	OFF	
644H/2	644H*	33° ON	ON	ON	
644H/2-1R	644H-1R*	33° ON	ON	MOM	
644H/2-2R	644H-2R*	33° MOM	ON	MOM	
645H/2	645H	26° MOM	-	ON	
646H/2	646H	26° ON	-	ON	
647H/2	647H	26° MOM	OFF	MOM	
648H/2	648H	26° ON	OFF	MOM	
649H/2	649H	32° ON	OFF	ON	

METAL LEVER - THREE POLE



Solder lug	Screw	A	III 2-1 5-4 8-7	II	I 2-3 5-6 8-9
651H/2	651H	24° ON	-	OFF	
655H/2	655H	15° MOM	-	ON	
656H/2	656H	24° ON	-	ON	
657H/2	657H	24° MOM	OFF	MOM	
658H/2	658H	24° ON	OFF	MOM	
659H/2	659H	28° ON	OFF	ON	

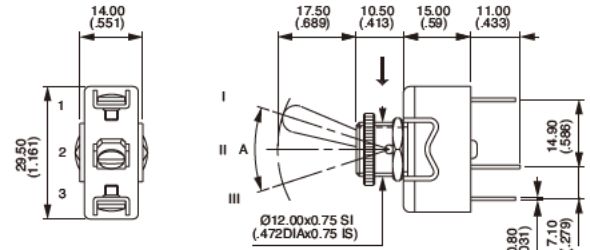
INSULATED LEVER - SINGLE POLE



Solder lug	Screw	A	III 2-1	II	I 2-3
631NH/2	631NH	28° ON	-	OFF	
635NH/2	635NH	24° MOM	-	ON	
636NH/2	636NH	28° ON	-	ON	
637NH/2	637NH	33° MOM	OFF	MOM	
638NH/2	638NH	33° ON	OFF	MOM	
639NH/2	639NH	33° ON	OFF	ON	

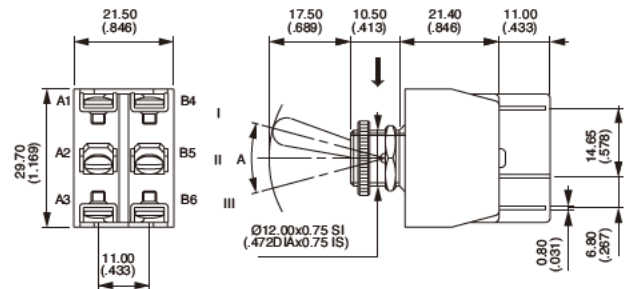
→ KEYWAY

A = Angle of throw



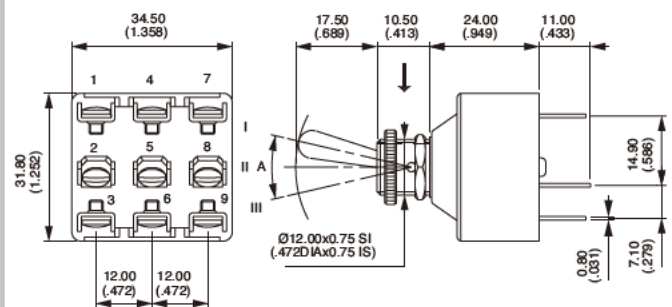
Angle of throw with K sealing option :
functions 1, 5, 6, 7 : 26° - functions 8, 9 : 32°

→ KEYWAY

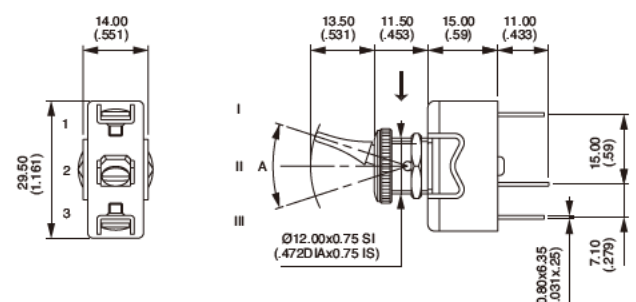


* Function 4 : SP in DP case - see Technical information on website

→ KEYWAY



→ KEYWAY



600H-600NH series

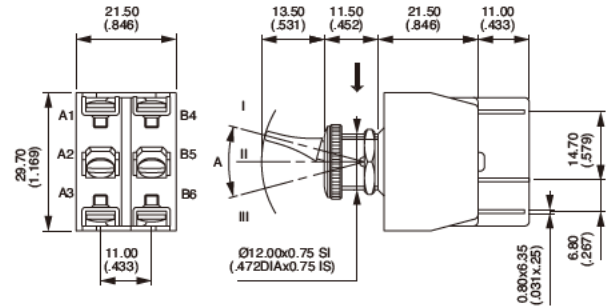
Toggle switches • high amperage

INSULATED LEVER - DOUBLE POLE



Solder lug	Screw	A	III	II	I
641NH/2	641NH	26° ON	2-1 5-4	-	2-3 5-6
644NH/2	644NH*	30° ON		ON	ON
644NH/2-1R	644NH-1R*	26° ON		ON	MOM
644NH/2-2R	644NH-2R*	26° MOM		ON	MOM
645NH/2	645NH	26° MOM		-	ON
646NH/2	646NH	26° ON		-	ON
647NH/2	647NH	26° MOM		OFF	MOM
648NH/2	648NH	30° ON		OFF	MOM
649NH/2	649NH	30° ON		OFF	ON

KEYWAY



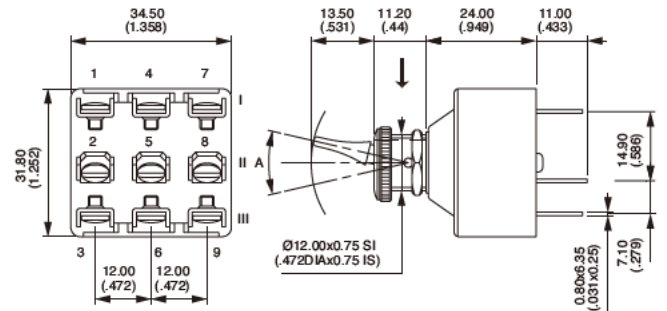
* Function 4 : SP in DP case - see Technical information on website

INSULATED LEVER - THREE POLE



Solder lug	Screw	A	III	II	I
651NH/2	651NH	24° ON	2-1 5-4 8-7	-	2-3 5-6 8-9
655NH/2	655NH	15° MOM		-	ON
656NH/2	656NH	24° ON		-	ON
657NH/2	657NH	24° MOM		OFF	MOM
658NH/2	658NH	24° ON		OFF	MOM
659NH/2	659NH	28° ON		OFF	ON

KEYWAY



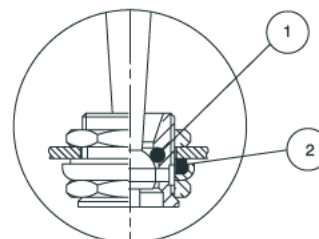
All models also available with normalized quick-connect terminals H/3 or NH/3.

OPTIONS

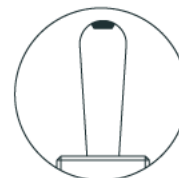


For 600H series only

- T** Tropicalized diallylphthalate case (-40 °C to +85 °C) (-40 °F to +185 °F)
- K** Front panel sealing by 1 O-ring and sealing washer. Protects the switch against water and dust. Panel seal withstands 1 bar pressure and remains sealed even when switch is operated
- L** Special threaded bushing, length 16 mm (.629)
- LUXE** Chrome plated lever and cap nut U117
- TK LUXE** Options T, K and LUXE.
- G** Black finish on bushing, lever and nuts. Includes tropicalization (option T) and locking ring U12.
- GK** Option G + front panel sealing by O-ring and sealing washer (as described in option K)
- G-038** Option G + fluorescent tip on lever. White fluorescent tip becomes luminous when submitted to ultra violet rays.



- ① O-ring
- ② Sealing washer



G-038

600H-600NH series

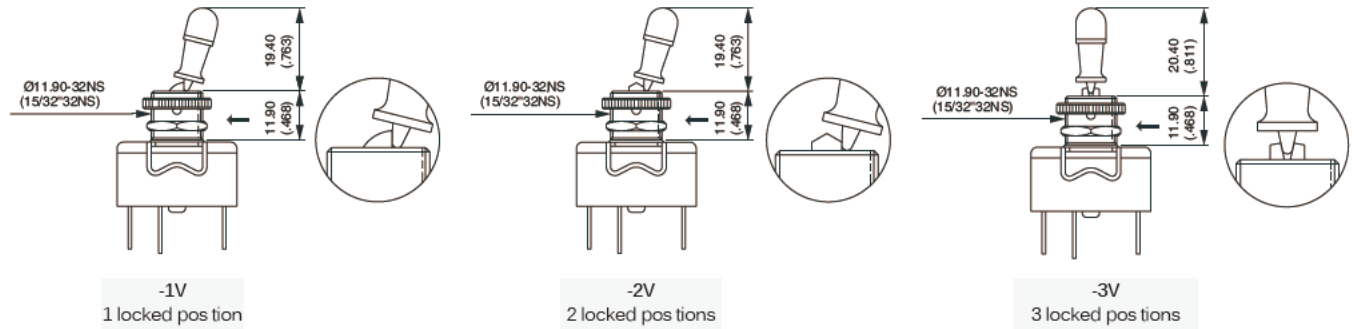
Toggle switches • high amperage

LOCKING LEVERS

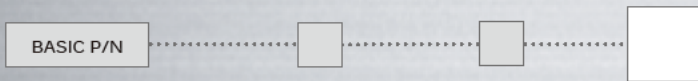


For 600H series only
 For 1 and 2 pole models.
 For 3-pole models, refer to 6000 series.

→ KEYWAY

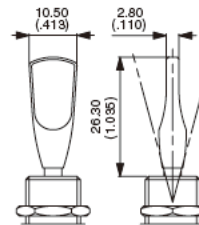
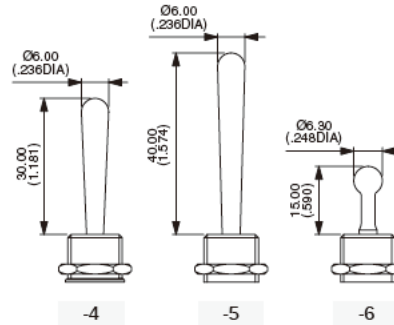


ACTUATOR OPTIONS



For 600H series only
 For 1 and 2 pole models.

- 4 30 mm (1.181) long actuator
- 5 40 mm (1.574) long actuator
- 6 Retro style actuator (gold plated or chrome plated : on request)
- X2595 Ergonomic flat plastic actuator



X2595