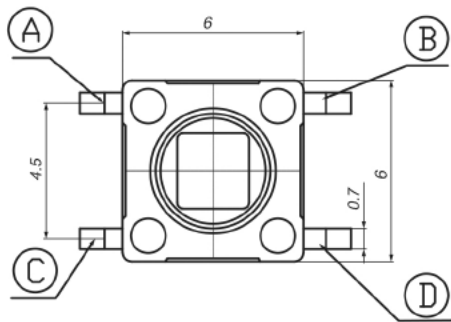
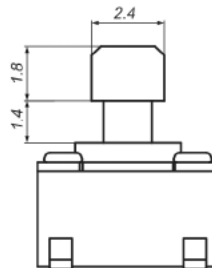
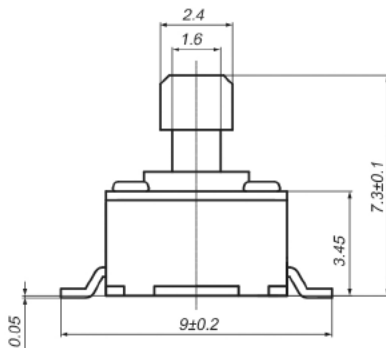
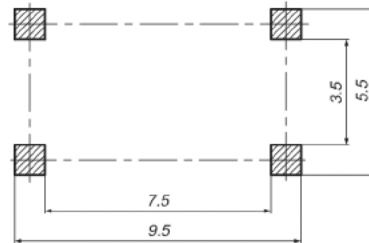


Specifications

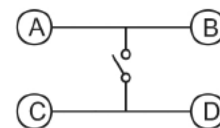
Rating:	50mA 12VDC
Contact Resistance:	50mΩ Max
Insulation Resistance:	100MΩ Min
Dielectric Strength:	250VAC 1 minute
Operating Temperature:	-20°C to +70°C
Electrical Life:	100,000+ Cycles
Operating Force:	180gf



Recommended P.C.B layout



SCHEMATIC



Description	Ref Code
6x6x7.3mm Square Actuator SMT Momentary Tactile Switch	483124