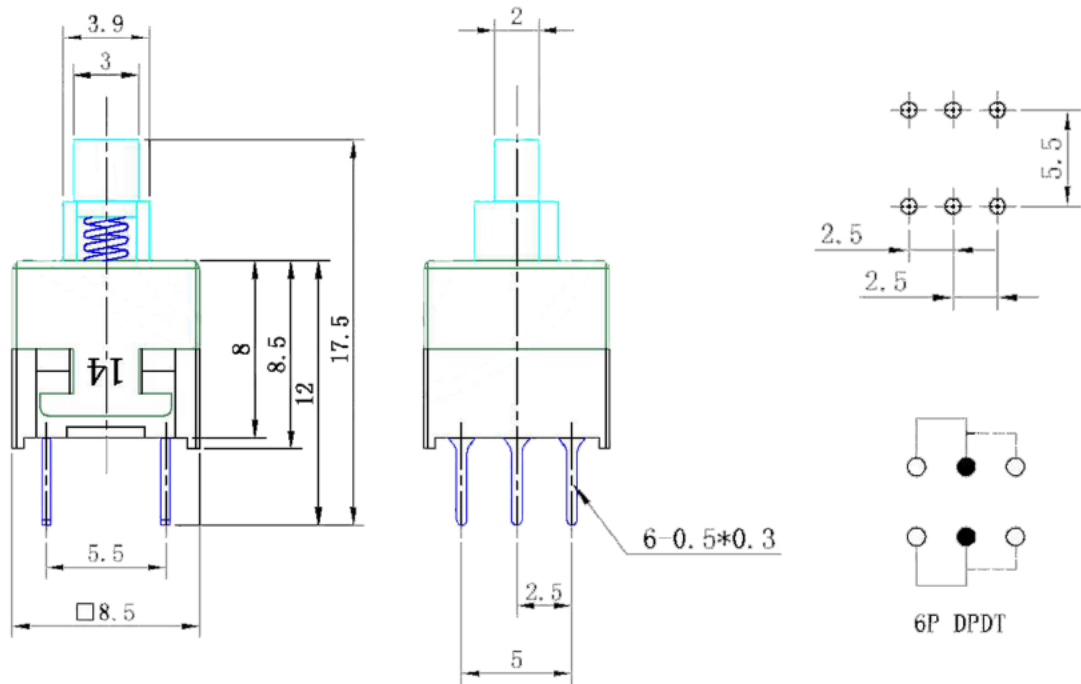


Specifications

Rating:	0.1A 30VDC
Operating Force:	200gf
Contact Resistance:	30mΩ Max
Insulation Resistance:	100MΩ Min
Dielectric Strength:	250VAC 1 minute
Operating Temperature:	-25°C to +70°C
Electrical Life:	10,000+ Cycles



Description	Ref Code
8.5x8.5mm Momentary PCB Push Button Switch DPDT	482796