

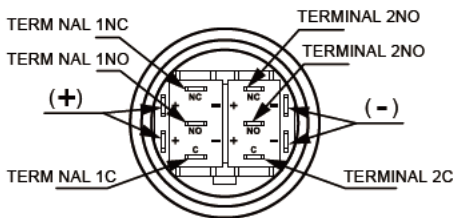
Anti vandal switch $\phi 22\text{mm}$



APPLICATIONS / MARKETS

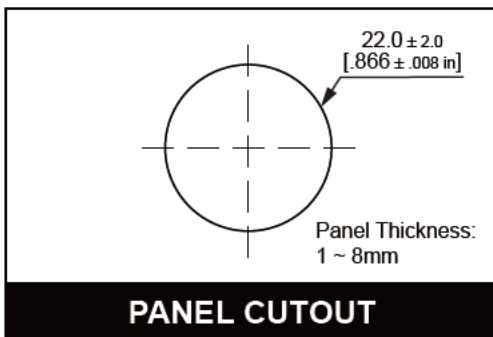
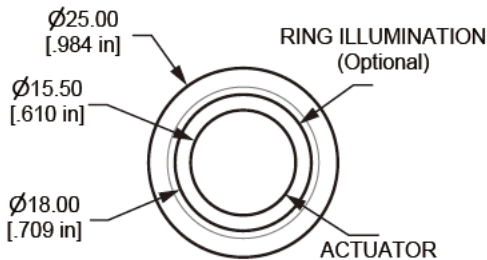


DESCRIPTION



C = Common
NO = Normally open
NC = Normally closed

Terminals (-) and (+) used with Illum. option only



ORDER CODE

Series	Actuator Options	Terminal Options	Function Options	Material Options	Illumination Style Options	LED-Color Options	Illumination Voltage Options	Graphic Options
L22T	F- Flat H- Raised	NONE- Solder lug (2.8x0.5)	M- Momentary 1- 1NO1NC 2- 2NO2NC Z- Lat hing 1- 1NO1NC 2- 2NO2NC	S- Stainless steel A- Anodized aluminum	D- Dot illum. R- Ring illum. NONE- non-illum. PS- Power backlit symbol PY- Ring illum. & Power backlit symbol X- Backlit Label Kit**	W- White Y- Yellow B- Blue G- Green R- Red 3A- Red/ Green/ Blue	NONE- Base Voltage* 3.3V 6V 12V 24V 36V 110V 220V	NONE- Non-marking LE- Laser etched

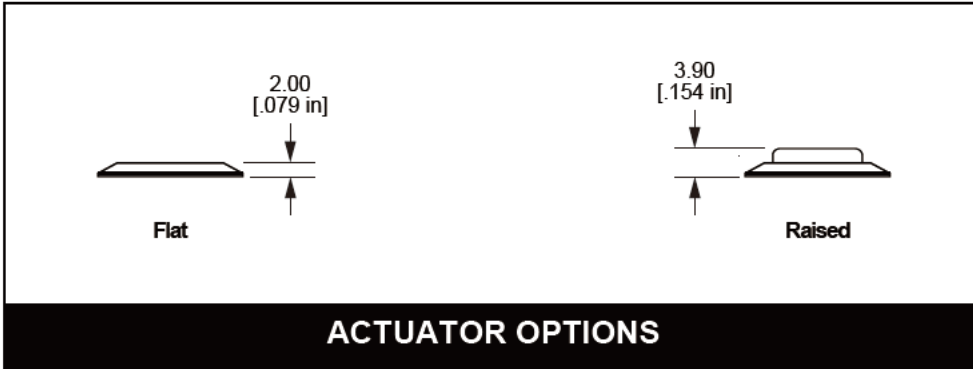
NOTES:
* Base voltage on LEDs:
1.8V @ 20mA for Red and Yellow LED colors
2.8V @ 20mA for Blue, Green and White LED colors
** 5 ICON labels included, 5 icon labels included, Flat actuator only

TECHNICAL DATA

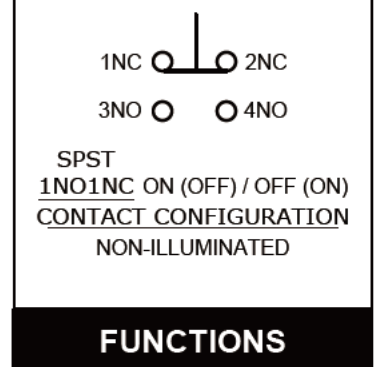
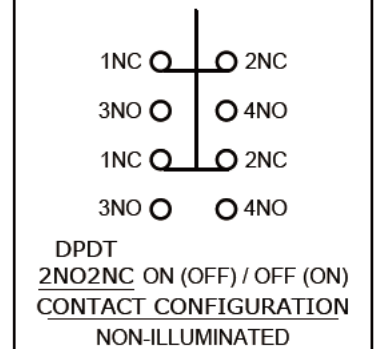
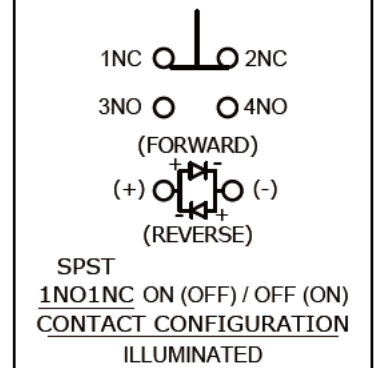
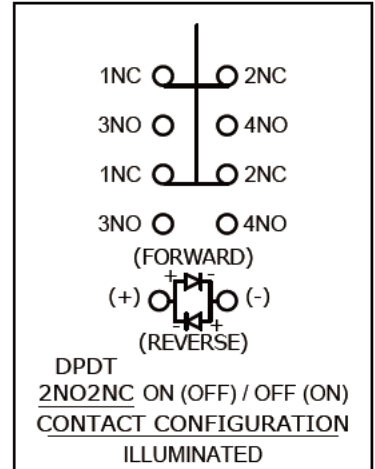
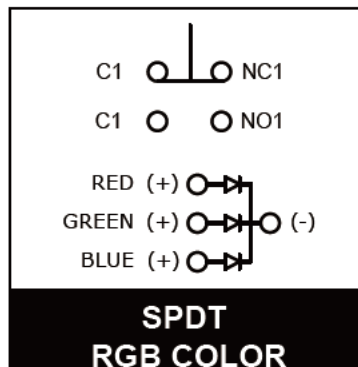
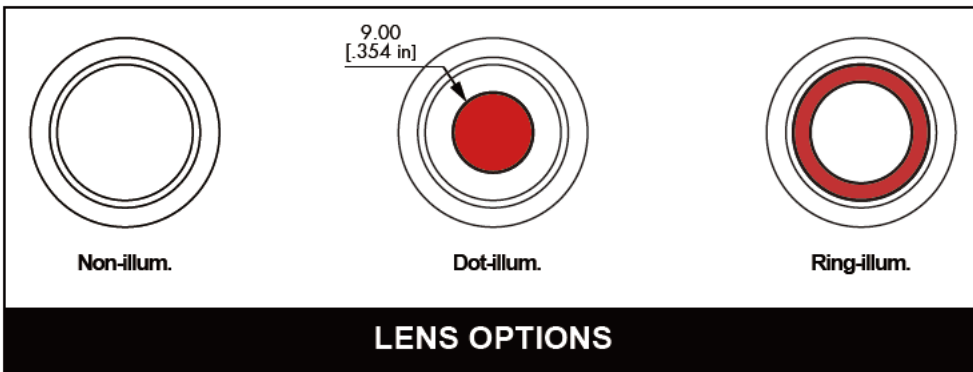
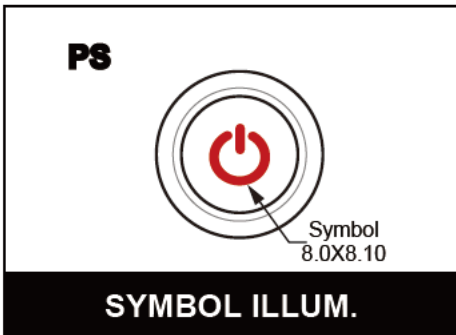
Type	L22T-F/ L22T-H
Illuminated Type	Non-Illuminated/ Ring Illuminated/ Dot Illuminated/ Backlit
Terminal	Solder lug (1.8X0.4)
Max. Switch Rating	Ith: 3A Ui: 250VAC
Contact Resistance	≤50mΩ
Insulation Resistance	≥1000mΩ
Dielectric Strength	2000VAC
Operation Temp.	-20°C ~ +55°C
Mechanical Life	500,000 Cycles
Electrical Life	30,000 Cycles
Contact Material	Silver Alloy
Torque	5 ~ 14Nm
Operation Pressure	approx. 3 ~ 5N
Protection	IP65/ IK09
Material	
Button	Stainless steel/ Anodized aluminum
Body	Stainless steel/ Anodized aluminum
Base	PBT
	LED
Color	3.3V/ 6V/ 12V/ 24V/ 36V/ 110V/ 220V R G Y B W Approx, 40,000 hours

Anti vandal switch $\varnothing 22\text{mm}$

ACTUATOR OPTIONS



ILLUM. OPTIONS



Anti vandal switch $\phi 22\text{mm}$

DIMENSIONS

