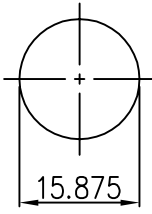
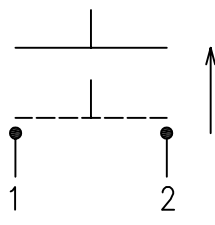
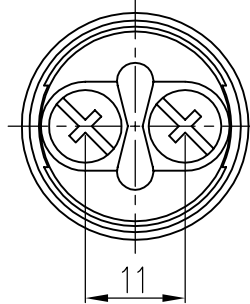
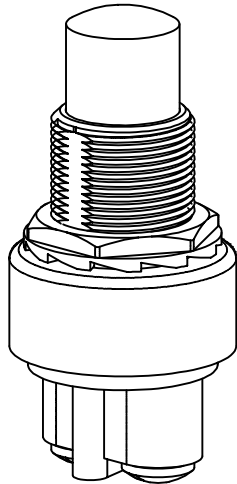
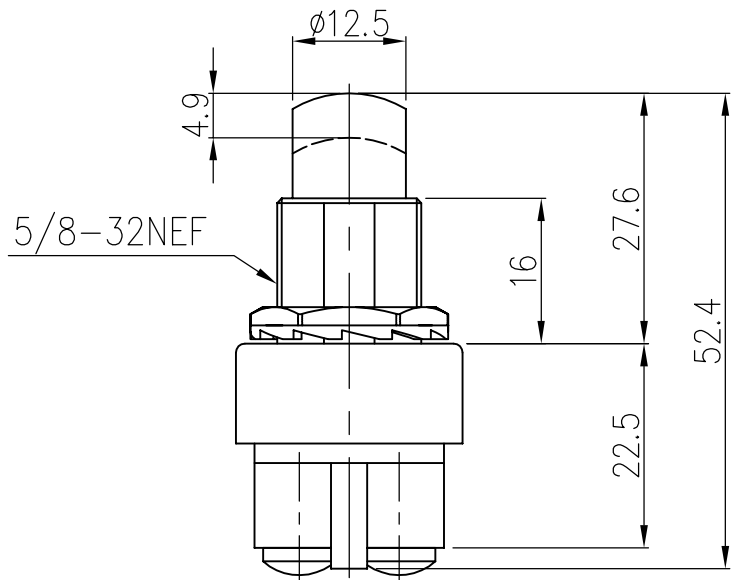
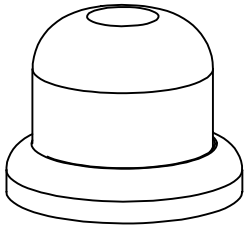
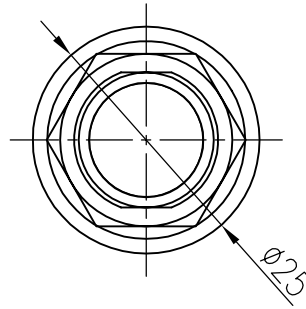
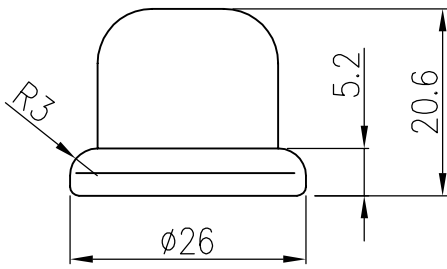



Rating	60A Max. 12VDC		
Contact Resistance	50M ohm Max.		
Insulation Resistance	DC 500V 100M ohm Min.		
Dielectric Strength	AC 1500V 1 minute		
Operation Temperature	-20°C~85°C		
Circuit	2P PUSH OFF-(ON)		



1.Tolerance± 0.3 except otherwise spec..

C8\A2\A2-24(1110058)

									△
									△
Date	Name	Descriptions							NO
Drawing	Check	Approval	SCI No.	1110058	Model Name	STARTER BUTTON SWITCH			
C		Danny	Customer No.		Model No.	A2-24			
		08/03/'07	Unit	mm					