

AV series

Security pushbutton switches •
Ø 30 mm • illuminated momentary NC/NO



DISTINCTIVE FEATURES

- Large actuator
- With illuminated ring
- Momentary NC/NO
- Solder lug, flying lead or cable terminals
- Marking available on request



ENVIRONMENTAL SPECIFICATIONS

- Optional front panel sealing : IP67 according to IEC 60529
- Robustness : IK06 according to EN 62262 (1 joule)
- Operating temperature : -30 °C to +85 °C (-22 °F to +185 °F)



ELECTRICAL SPECIFICATIONS

- Max. current/voltage rating with resistive load : 1 A 30 VDC
- LED voltage : 12 VDC, 24 VDC or 48 VDC
(If not supplied by SOCOJE, a resistor must be series-connected by the user)**
- Initial contact resistance : 100 mΩ max.
- Insulation resistance : 10 MΩ min. at 500 VDC
- Dielectric strength : 500 Vrms 50 Hz min. between terminals
1,000 Vrms 50 Hz min. between terminals and frame
- Electrical life : 250,000 cycles at full load

**Resistor value = $\frac{\text{supply voltage} - \text{LED forward voltage}}{\text{LED forward current}}$



GENERAL SPECIFICATIONS

- Travel : 2.5 mm ± 0.3 mm (.003)
- Operating force : 5 N ± 2 N
- Torque : 10 Nm max.
- Panel thickness : 1 (.039) to 6 mm (.236) max.
- Low level or mechanical life : 1,000,000 cycles
- Hand soldering : 350 °C (662 °F), 5 seconds max.

The company reserves the right to change specifications without notice.



AV series

Security pushbutton switches •
Ø 30 mm • illuminated momentary NC/NO

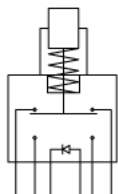


MATERIALS

- Case : polyamide, glass filled
- Contacts : silver
- Bushing : see following pages
- Actuator : see following pages
- Elastomeric membrane : silicone
- LED



ELECTRICAL FUNCTIONS



NC/NO



MOUNTING

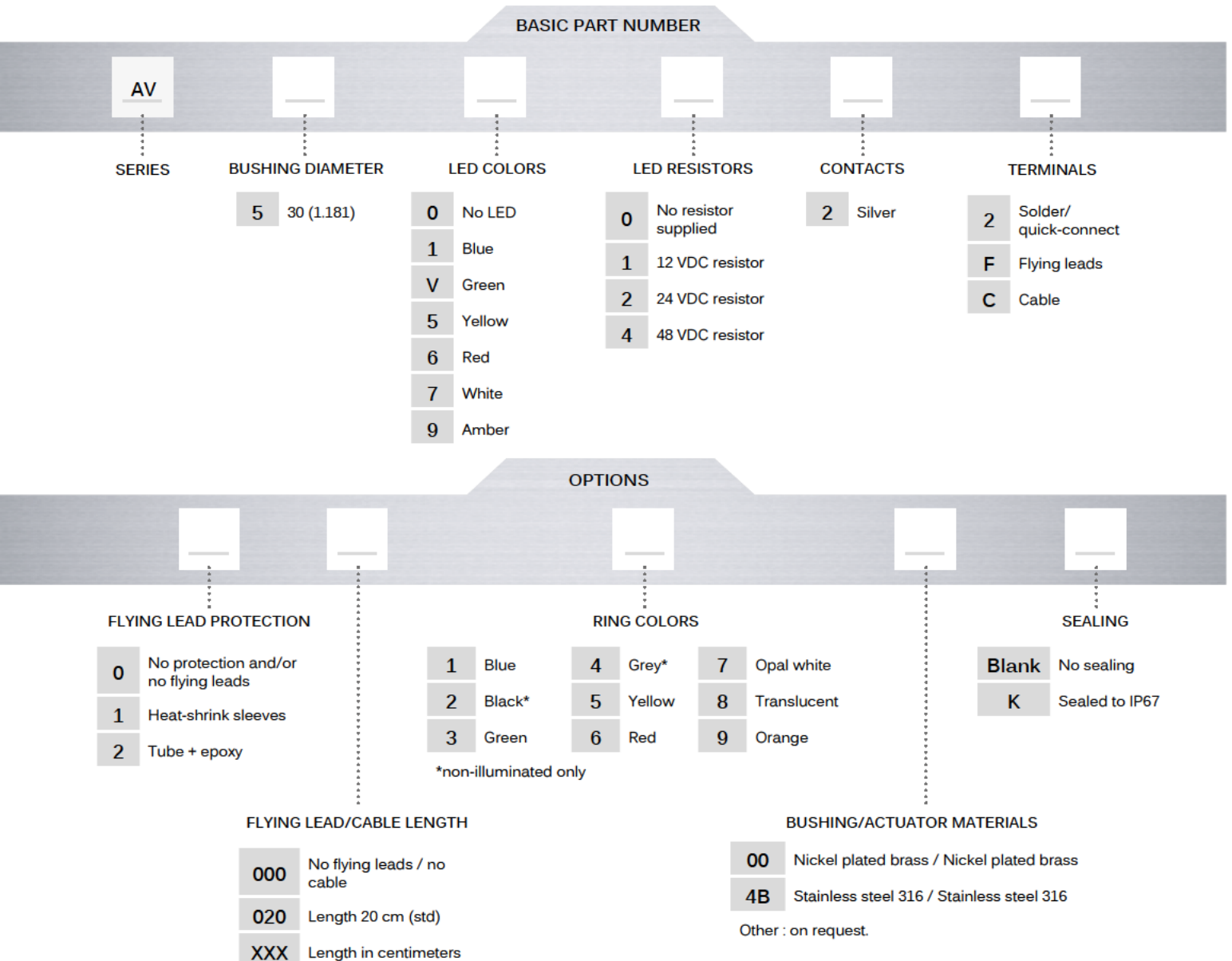
- Panel cut-out : Ø 30.2 mm (1.189)
- Min. pitch for matrix mounting :
44 mm x 44 mm (1.732x1.732)

AV series

Security pushbutton switches •
 Ø 30 mm • illuminated momentary NC/NO



BUILD YOUR PART NUMBER



ABOUT THIS SERIES

On the following pages, you will find successively basic part numbers of switches and options in the same order as in above chart

- ⚠ **Notice:** please note that not all combinations of above numbers are available. Refer to the following pages for further information.
- ⚙ **Mounting accessories:** standard hardware supplied : 1 hex nut. Standard and special hardware is presented in the "Hardware" section of website.

AV series

Security pushbutton switches •
 Ø 30 mm • illuminated momentary NC/NO

FLAT ACTUATOR - SOLDER LUG TERMINALS



Illuminated*
AV5•022

Non-illuminated
AV50022

* Select LED color on previous page - No LED resistor supplied on this model.

FLAT ACTUATOR - FLYING LEAD TERMINALS



Illuminated*
AV5••2F

Non-illuminated
AV5002F

* Select LED color & resistor on previous page.

FLAT ACTUATOR - CABLE TERMINALS

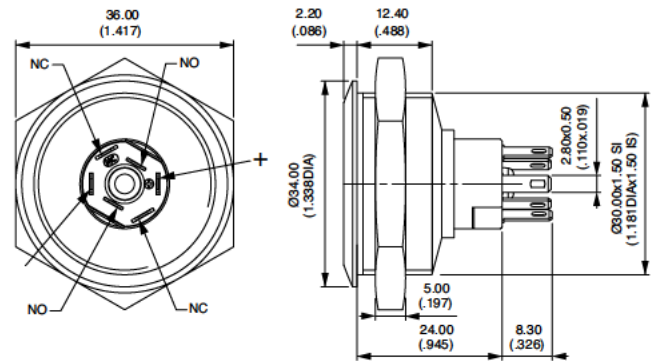


Illuminated*
AV5••2C

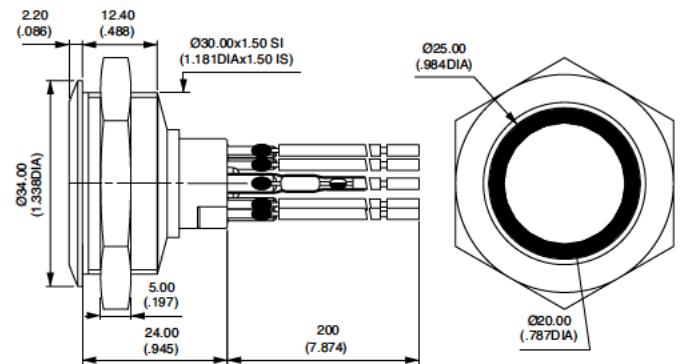
Non-illuminated
AV5002C

* Select LED color & resistor on previous page.

Plastic hex nut 36 (1.417) across flats

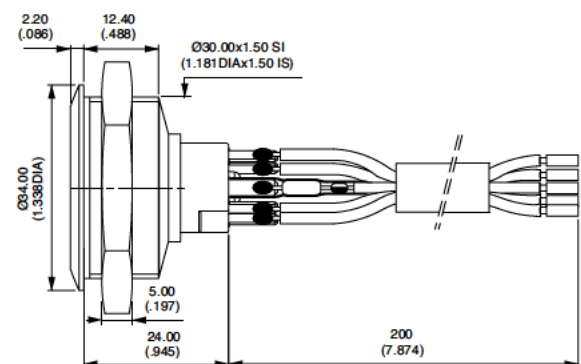


Plastic hex nut 36 (1.417) across flats



Wire colors : black: NC, orange: NO, red: LED anode (+), blue : LED cathode (-)

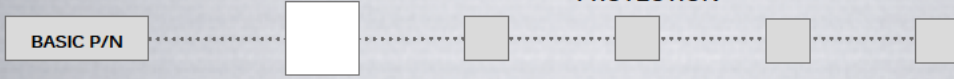
Plastic hex nut 36 (1.417) across flats



AV series

Security pushbutton switches •
 Ø 30 mm • illuminated momentary NC/NO

FLYING LEAD PROTECTION



- 0 No protection and/or no flying leads
- 1 Heat-shrink sleeves
- 2 Tube + epoxy

FLYING LEAD/ CABLE LENGTH



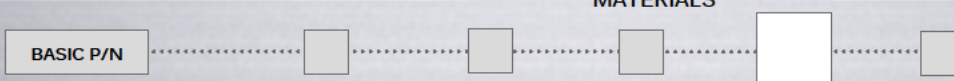
- 000 No flying leads / no cable
- 020 Length 20 cm (standard)
- XXX Length in centimeters

RING COLORS



- 1 Blue
 - 2 Black *
 - 3 Green
 - 4 Grey *
 - 5 Yellow
 - 6 Red
 - 7 Opal white (std)
 - 8 Translucent
 - 9 Orange
- * non-illuminated only

BUSHING/ACTUATOR MATERIALS



CODE	BUSHING	ACTUATOR
00 (std)	Nickel plated brass	Nickel plated brass
4B	Stainless steel 316	Stainless steel 316

Other : on request.

SEALING



- Blank No sealing
- K Front panel sealing to IP67

OPTION K



- ① - internal membrane
- ② - external gasket