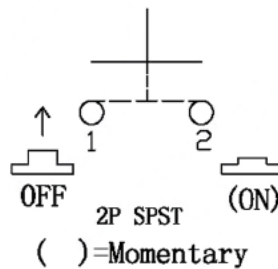
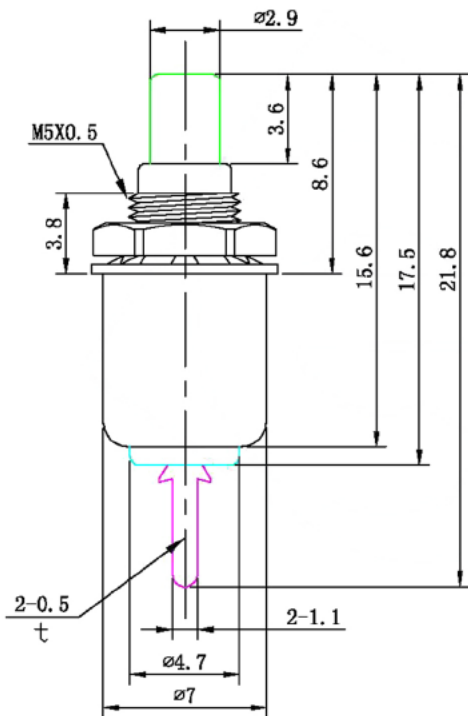


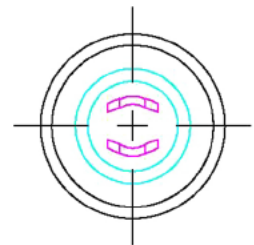
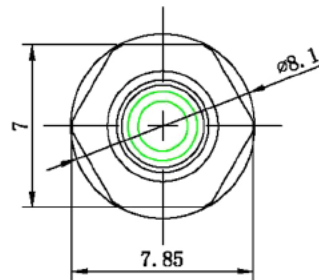
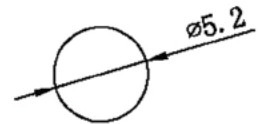
Push Button Switches

Specifications

Rating:	0.5A 125VAC
Housing Material:	Nickel Plated Brass
Contact Material:	Silver Plated Brass
Contact Resistance:	50mΩ Max
Insulation Resistance:	100MΩ Min
Dielectric Strength:	1500VAC 1 minute
Operating Temperature:	-25°C to +85°C
Electrical Life:	10,000+ Cycles



PANEL CUT-OUT



Description	Ref Code
Black Microminiature 5mm Momentary Off-(On) Push Button SPST 0.5A	550127