
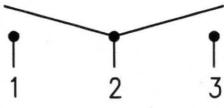
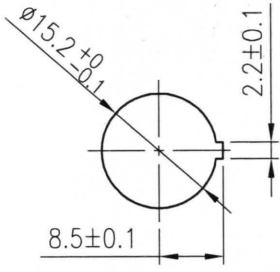
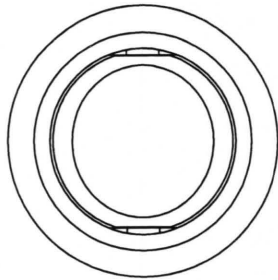
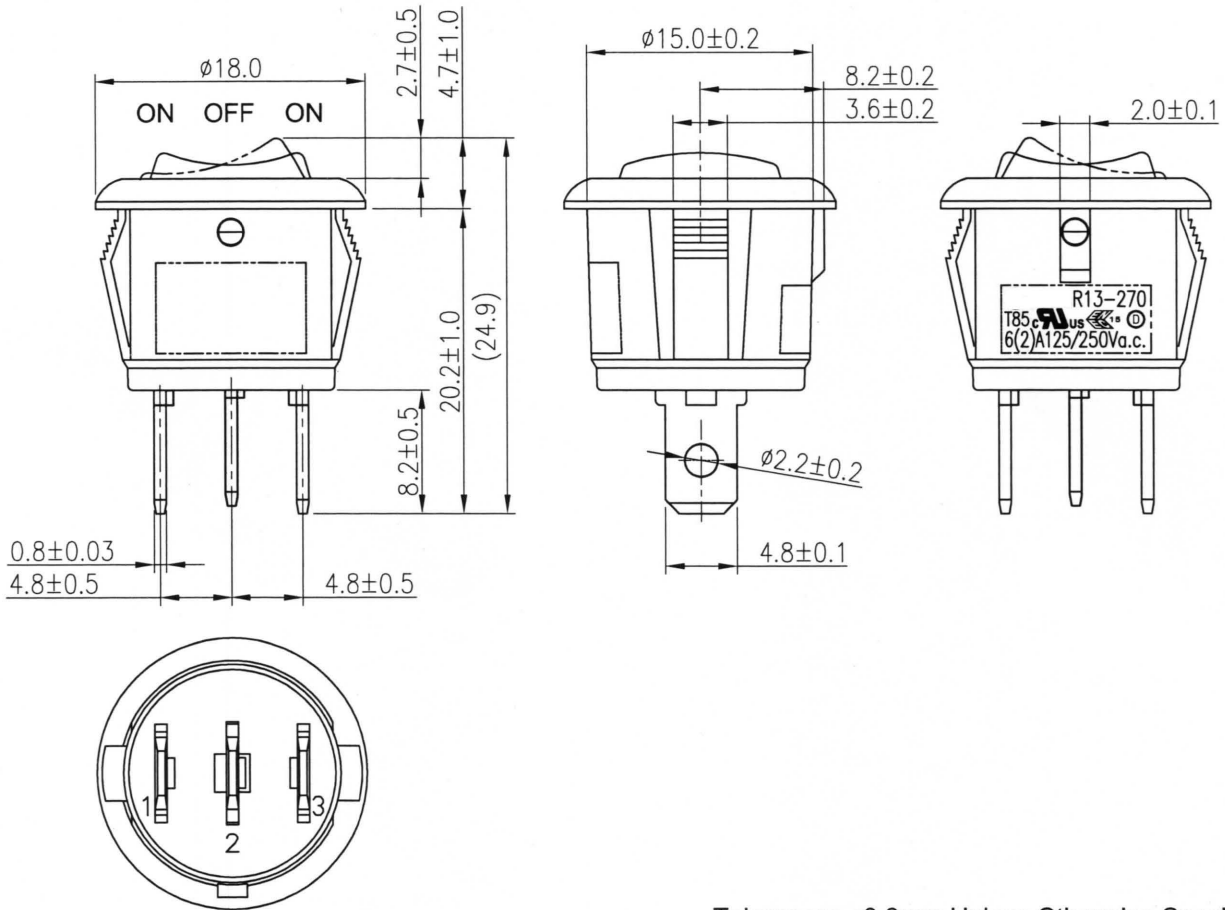


Rating	6(2)A 125-250V AC		Mounting Hole	
Contact Resistance	50m ohm Max.			
Insulation Resistance	DC 500V 100M ohm Min.			
Dielectric Strength	AC 1500V 1 minute			
Operation Temperature	-25°C~85°C			
Switch Function	3P SPDT ON-OFF-ON			



MATERIAL:

Frame: Black, Nylon#66
 Actuator: Black, Nylon#66
 Terminals: Copper alloy
 Printed: None



Tolerances $\pm 0.3\text{mm}$ Unless Otherwise Specified