

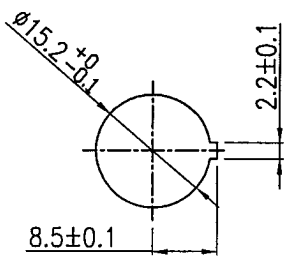
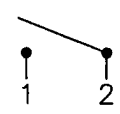
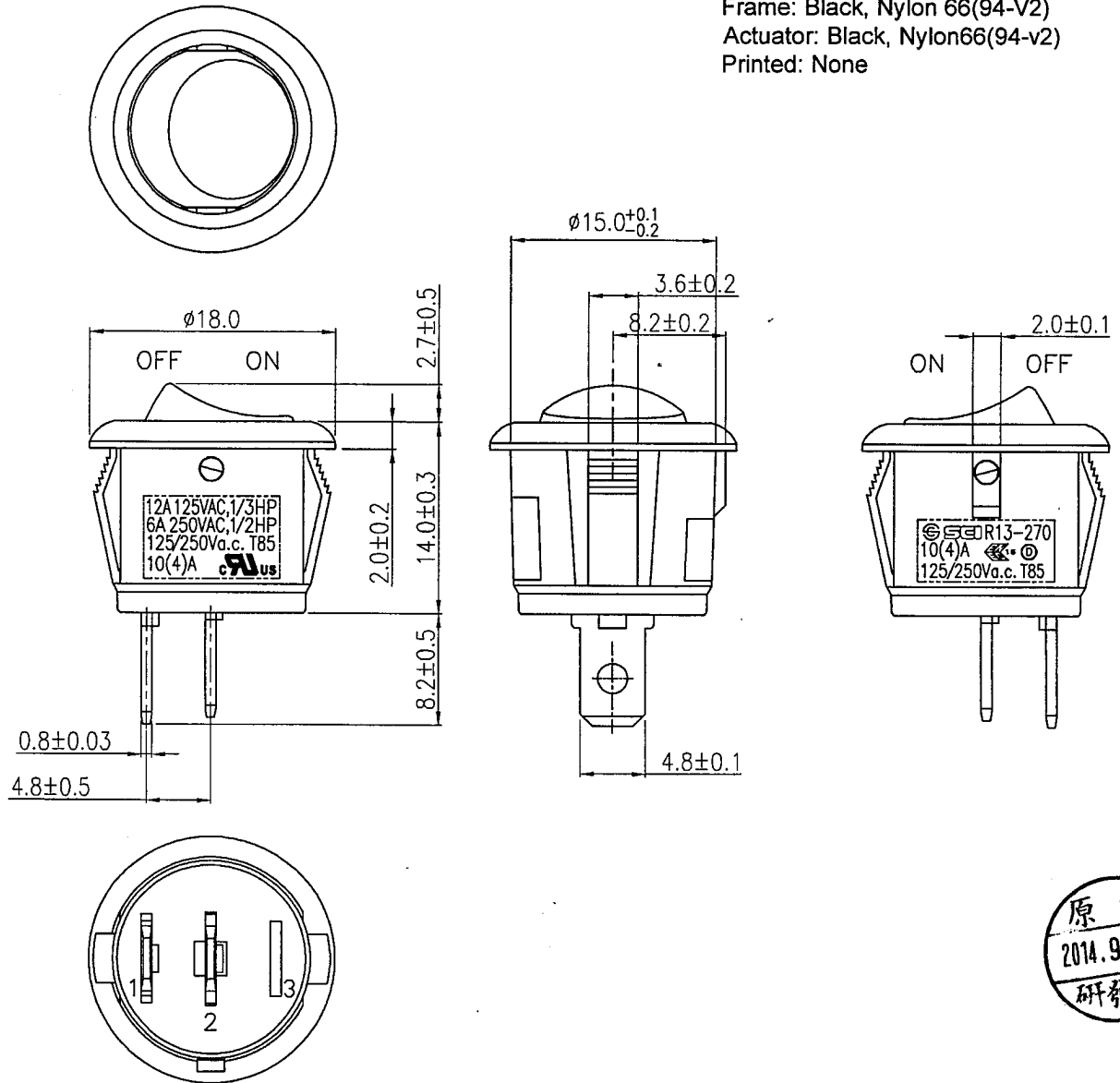


Rating	12A125VAC 1/3HP 6A250VAC1/2HP	Mounting Hole	Circuit Diagram
	10(4)A 125/250V a.c.  10(4)A 125/250V a.c. 		
Contact Resistance	50m ohm Max.		
Insulation Resistance	DC 500V 100M ohm Min.		
Dielectric Strength	AC 1500V 1 minute		
Operation Temperature	-25°C ~ 85°C		
Switch Function	2P SPST ON-OFF		

Material:  
 Frame: Black, Nylon 66(94-V2)  
 Actuator: Black, Nylon66(94-v2)  
 Printed: None



原稿  
 2014.9.10  
 研發部

Tolerances  $\pm 0.3$  Unless Otherwise Specified