
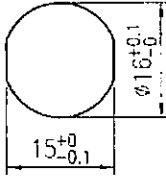
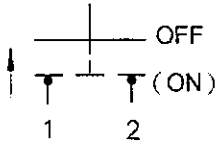
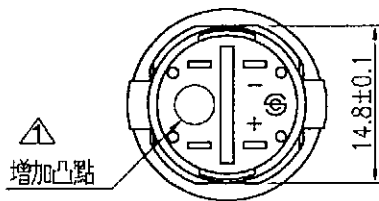
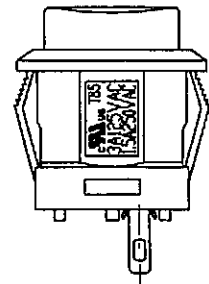
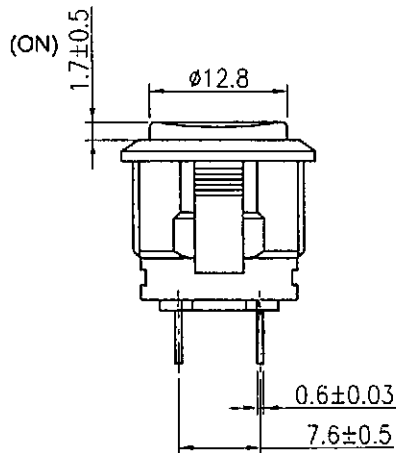
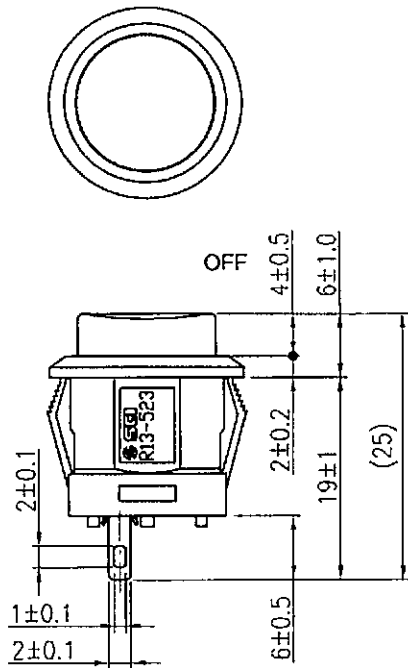


Rating	3A 125V AC 1.5A 250V AC		Mounting Hole	Circuit Diagram
Contact Resistance	50m ohm Max.			
Insulation Resistance	DC 500V 100M ohm Min.			
Dielectric Strength	AC 1500V 1 minute			
Operation Temperature	-20°C~85°C			
Switch Function	2P SPST OFF-(ON)			

Material:  
 Frame: Black Nylon#66  
 Actuator: PC  
 Terminals: Copper Alloy



SCI BOM NO.	Actuator Color
1830359	Red
1830819	Yellow
1830820	Blue

Tolerances ±0.3 Unless Otherwise Specified