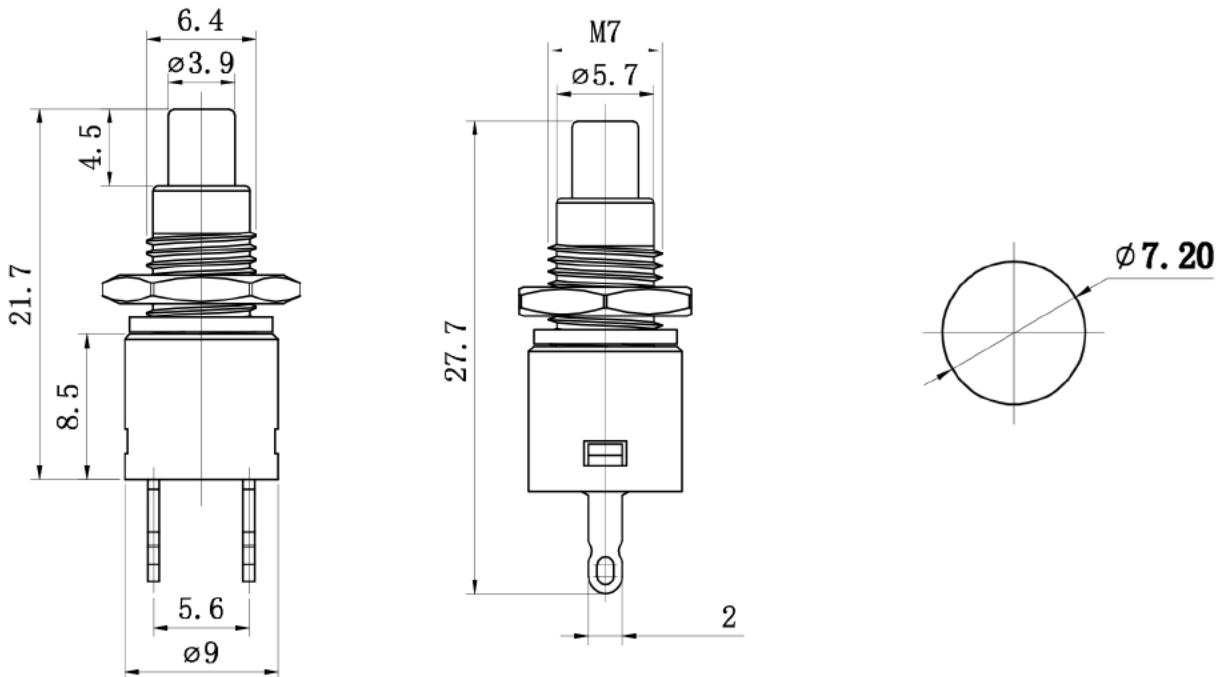


Specifications

Rating:	1.5A 250VAC
Contact Resistance:	100mΩ Max
Insulation Resistance:	100MΩ Min
Dielectric Strength:	500VAC 1 minute
Operating Temperature:	-25°C to +85°C
Electrical Life:	10,000+ Cycles



Description	Ref Code
Black Off-(On) Miniature Momentary 7mm Push Button Switch SPST	482251