
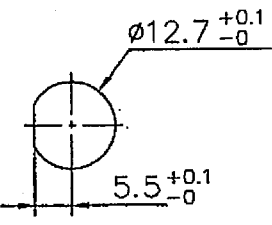
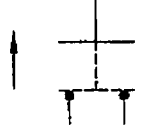


Rating	3A 125V AC 1.5A 250V AC 	Mounting Hole 	Circuit Diagram 
Contact Resistance	50m ohm Max		
Insulation Resistance	DC 500V 100 ohm Min		
Dielectric Strength	AC 1000V 1minute		
Switch Function	2P SPST OFF-(ON)		

