

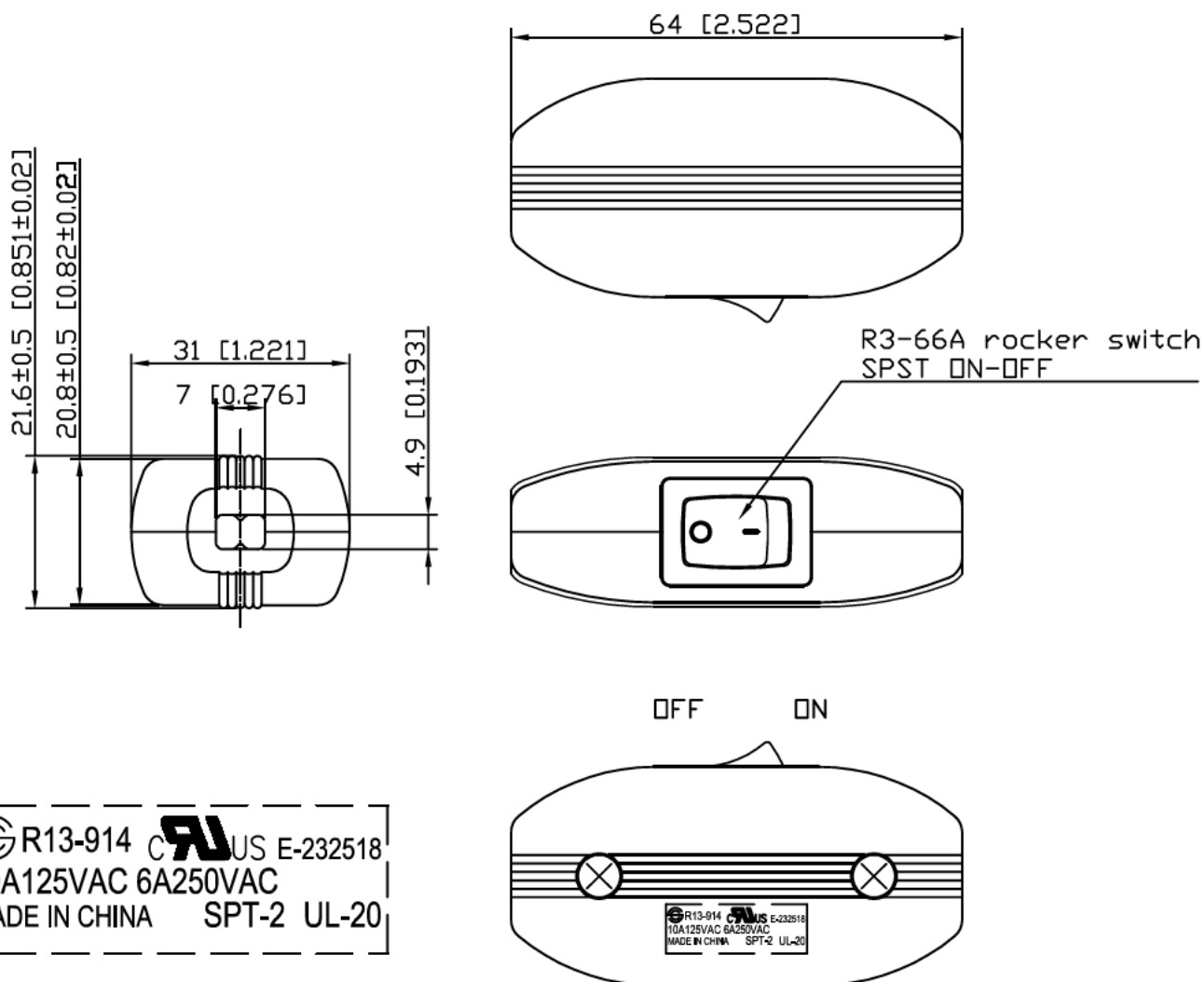


Rating	10A125VAC 6A250VAC T85 UL-20  US	 <p>SPST 2P ON-OFF</p>
Contact R	50m ohm Max.	
Insulation R	DC 500V 100M ohm Min.	
Dielectric Strength	AC 1500V 1 minute	
Operation temp	-20°C ~ 85°C	

Material of case are nylon-66.  
Switch operation force: 450g±150g



Tolerance ±0.3 except noticed