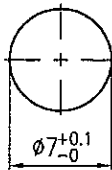
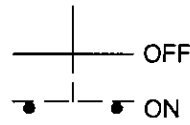
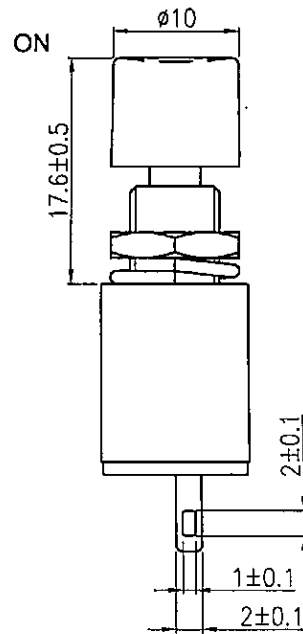
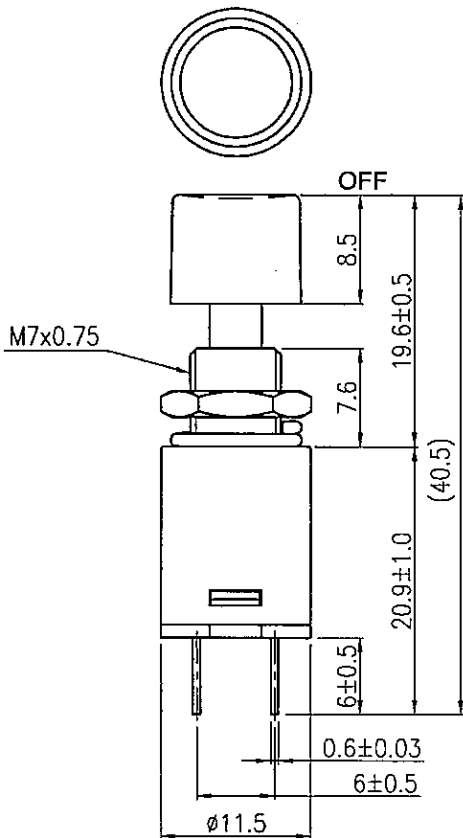


Rating	3A 125V AC, 1.5A 250V AC	<b>Mounting Hole</b> 	<b>Circuit Diagram</b> 
Contact Resistance	50m ohm Max.		
Insulation Resistance	DC 500V 100M ohm Min.		
Dielectric Strength	AC 1500V 1 minute		
Switch Function	2P SPST OFF-ON		

Material:  
 Frame: Black, Nylon 66  
 Actuator: Red, ABS  
 Terminals: Silver Plated Brass



Tolerances Unless Otherwise Specified ±0.3