
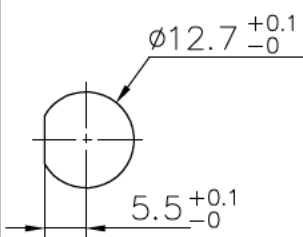
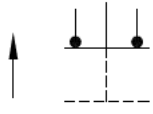
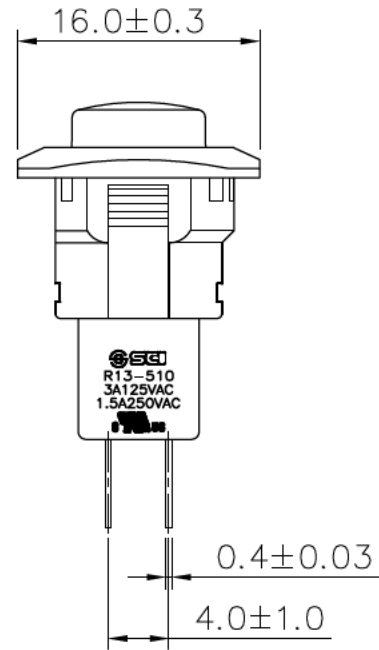
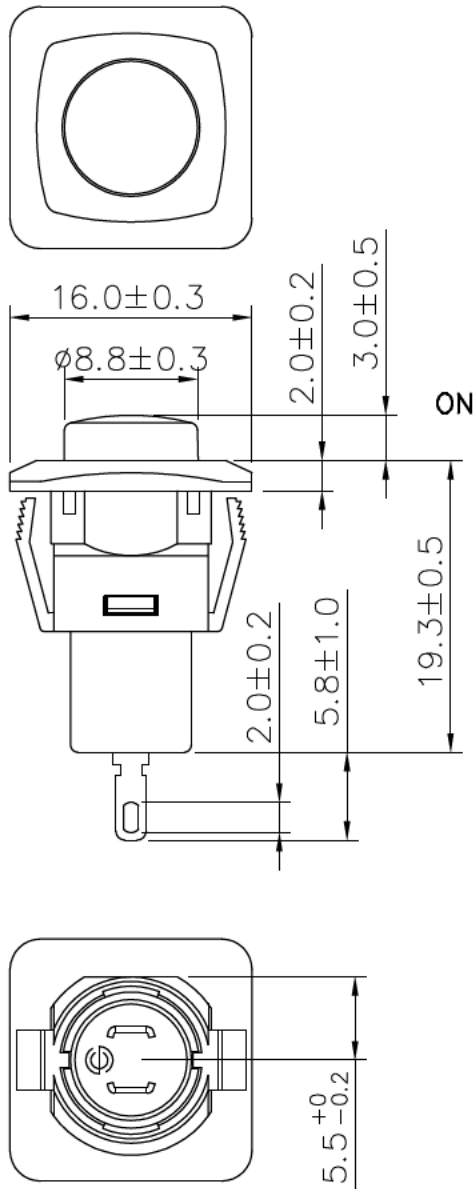


Rating	3A 125V AC 1.5A 250V AC 	Mounting Hole 	Circuit Diagram 
Contact Resistance	50m ohm Max		
Insulation Resistance	DC 500V 100M ohm Min		
Dielectric Strength	AC 1000V 1 minute		
Switch Function	2P SPST ON-(OFF)		



A4

2010/10/13		本體與底座改卡扣式新結構設計				△	
Date	Name	Description				No.	
Drawn	Checked	Approved	SCI BOM No.	Model Name	PUSH SWITCH		
			Customer No.				REV
8/3/12		7/24/12	Unit	mm			1