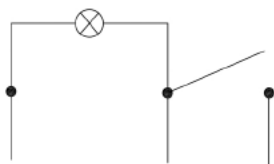
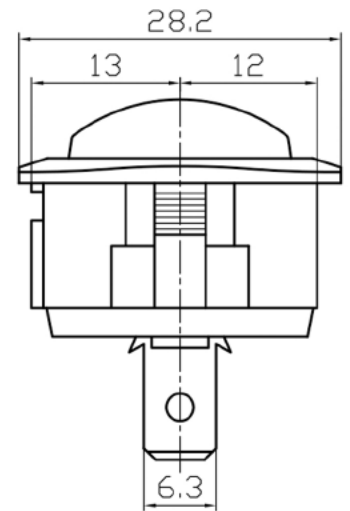
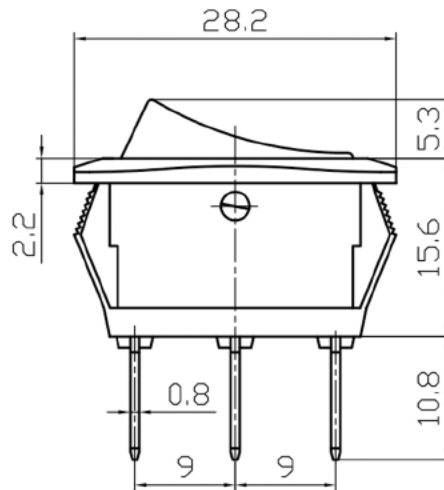
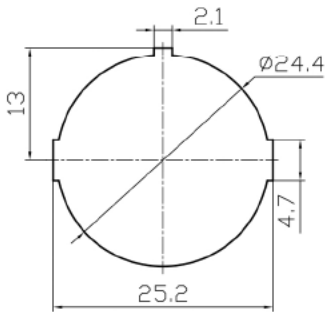


Specifications

Rating :	25A 12VDC
Contact Resistance:	50mΩ Max
Insulation Resistance:	100MΩ Min
Dielectric Strength:	1500VAC 1 minute
Temperature Rating:	-25°C to 85°C
Electrical Life:	10,000+ Cycles



Description	Ref Code
Blue illuminated Circular Rocker Switch SPST 12V	481661