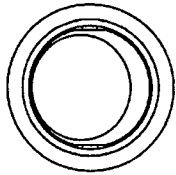
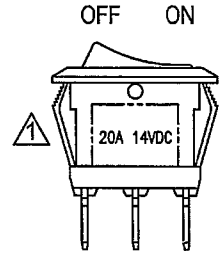
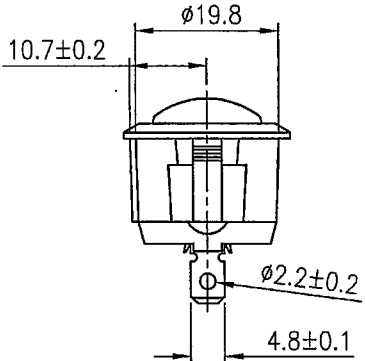
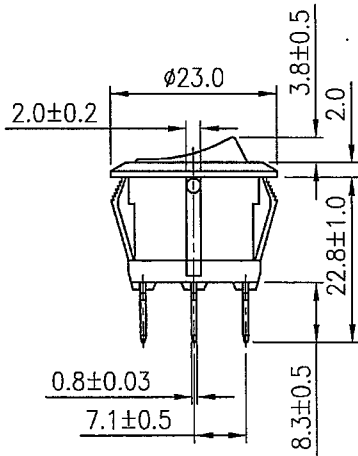
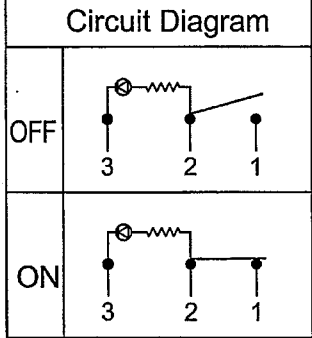


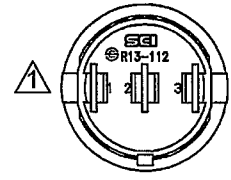
Rating	20A 14VDC	
Contact Resistance	50m ohm Max.	
Insulation Resistance	DC 500V 100M ohm Min.	Thickness:2.0~3.0
Dielectric Strength	AC 1500V 1 minute	Thickness:0.7~3.0
Operation Temperature	-25°C~85°C	
Switch Function	3P SPST ON-OFF (LED dependent)	



Material:
 Frame: Black, Nylon 66 (94-V2)
 Lens: PC
 Terminals: Silver plated, Copper alloy
 Lamp: LED
 Hot stamping: None



原稿
 2017.4.24
 研發部



1824290	Red Clear	Red
1822796	Blue Clear	Blue
SCI NO.	Lens Color	LED Color

1 · Tolerances ± 0.3 Unless Otherwise Specified