

# Rocker Switch RC Series



## SPECIFICATION

Electrical Rating : 2A 250VAC/125VAC,  
 6A 250VAC/10A125VAC (UL)  
 10A 250VAC/15A 125VAC(UL)  
 10(4)A 250 VAC (VDE)

Mechanical life: Over 30000 cycles  
 Electrical life: Over 10000 cycles  
 Contact resistance: <20mΩ  
 Insulation resistance: >1000MΩ  
 High voltage resistance: >1500VAC 1 min.  
 Ambient temperature: Terminal side -20 to +85°C  
 Actuating side- 20 to +55°C

Atmospheric humidity: Max.85%  
 Actuating force: 3 to 6N(depends on different switch function)  
 Flammability: UL94V-2 & UL94V-0  
 Storage temperature: -30 to +80°C Max  
 Temperature rise at the terminal: 30°C (UL1054)  
 Solder ability of terminal: Max 350°C 3s

## MATERIALS

Housing: PA 66  
 Rocker: PA 66 & PC  
 Contacts: Silver alloy  
 Terminal: Copper or brass silver plated  
 Spring: SWC  
 Movable arm: Copper silver plated  
 Lamp: Neon lamp, Tungsten lamp, LED  
 Bracket: PA66

## HOW TO ORDER

### ORDERING PROCEDURE ( PART I ): NON-ILLUMINATED

RC 1 5 K K E T 0 0 B

SERIES SWITCH FUNCTION RATING HOUSING COLOR ACTUATOR COLOR MARKING TERMINAL LAMP VOLTAGE SHAPE OF WINDOW SAFETY APPROVAL

|   |           |
|---|-----------|
| 1 | ON-OFF    |
| 2 | ON-ON     |
| 3 | ON-OFF-ON |

|            |                       |                       |
|------------|-----------------------|-----------------------|
| K (BLACK)  | <input type="radio"/> | <input type="radio"/> |
| W (WHITE)  | <input type="radio"/> | <input type="radio"/> |
| G (GRAY)   | <input type="radio"/> | <input type="radio"/> |
| O (ORANGE) | <input type="radio"/> | <input type="radio"/> |
| R (RED)    | <input type="radio"/> | <input type="radio"/> |
| N (GREEN)  | <input type="radio"/> | <input type="radio"/> |
| Y (YELLOW) | <input type="radio"/> | <input type="radio"/> |
| B (BLUE)   | <input type="radio"/> | <input type="radio"/> |
| V (VIOLET) | <input type="radio"/> | <input type="radio"/> |

AVAILABLE

SEE OPTION OF MARKING

0 NO WINDOW

B UL,VDE

0 NO LAMP

T QUICK CONNECT TERMINAL, 4.8mm WIDE, 0.8mm THICK

|   |               |
|---|---------------|
| 5 | 10A 250VAC    |
|   | 15A 125VAC    |
|   | 10(4)A 250VAC |

# Rocker Switch RC Series



## HOW TO ORDER

### ORDERING PROCEDURE ( PART II ): ILLUMINATED

RC 9 5 K K D E T 1 L N B

SERIES SWITCH FUNCTION RATING OUSING COLOR ACTUATOR COLOR COLOR OF WINDOW MARKING TERMINAL LAMP VOLTAGE SHAPE OF WINDOW COLOR OF LAMP SAFETY APPROVAL

|   |   |           |           |          |            |         |           |            |          |            |               |                 |                  |                |
|---|---|-----------|-----------|----------|------------|---------|-----------|------------|----------|------------|---------------|-----------------|------------------|----------------|
| 9 | ON-OFF (LIGHTED)                          |           |           |          |            |         |           |            |          |            |               |                 |                  |                |
| 5 | 10A 250VAC<br>15A 125VAC<br>10(4)A 250VAC | K (BLACK) | W (WHITE) | G (GRAY) | O (ORANGE) | R (RED) | N (GREEN) | Y (YELLOW) | B (BLUE) | V (VIOLET) | D (RED) illu. | M (GREEN) illu. | Y (YELLOW) illu. | F (BLUE) illu. |

SEE OPTION OF MARKING

|   |                                       |
|---|---------------------------------------|
| L | ELLIPSE (FOR LED LAMP)                |
| C | ROUND (FOR NEON OR TUNGSTEN LAMP)     |
| E | NO WINDOW (FOR NEON OR TUNGSTEN LAMP) |

|   |                             |
|---|-----------------------------|
| N | TRANSPARENT NEON LAMP       |
| F | GREEN FLUORESCENT NEON LAMP |
| B | BLUE FLUORESCENT NEON LAMP  |
| R | RED LED LAMP                |
| M | GREEN LED LAMP              |
| Y | YELLOW LED LAMP             |

|   |                    |
|---|--------------------|
| 1 | NEON LAMP (125VAC) |
| 2 | NEON LAMP (250VAC) |
| L | LED                |

|   |         |
|---|---------|
| B | UL, VDE |
|---|---------|

○ AVAILABLE

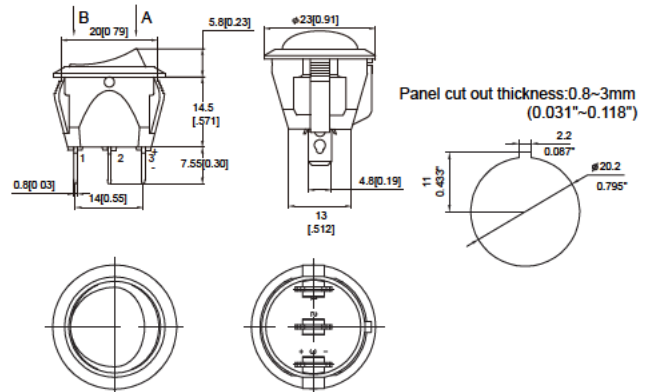
|   |                     |
|---|---------------------|
| E | (NO WINDOW)         |
| D | (RED) illu.         |
| M | (GREEN) illu.       |
| Y | (YELLOW) illu.      |
| F | (BLUE) illu.        |
| T | (TRANSPARENT) illu. |

T QUICK CONNECT TERMINAL, 4.8mm W DE, 0.8mm THICK

## Option of switch function

| Item No | POLES & THROWS  | Rocker position (·): Momentary |        |       |
|---------|-----------------|--------------------------------|--------|-------|
|         |                 | Left                           | Center | R ght |
| RC1     | SPST            | ON                             | None   | OFF   |
| RC2     | SPDT            | ON                             | None   | ON    |
| RC3     | SPDT            | ON                             | OFF    | ON    |
| RC9     | SPST (With LED) | ON                             | None   | OFF   |

## Dimension & Panel cut out



## Lamp Circuit

