
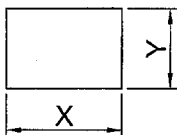
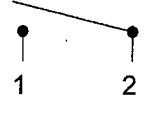
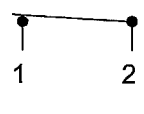
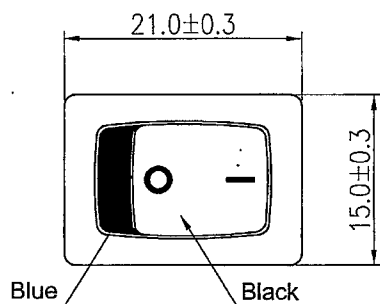
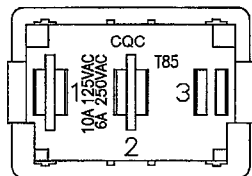
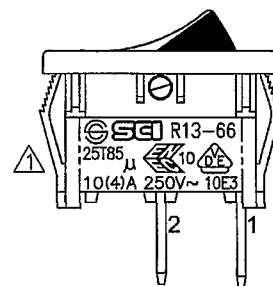
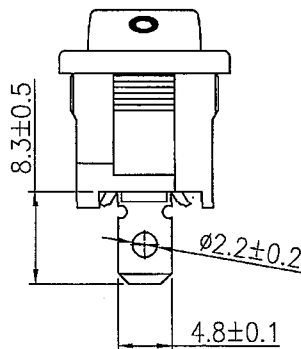
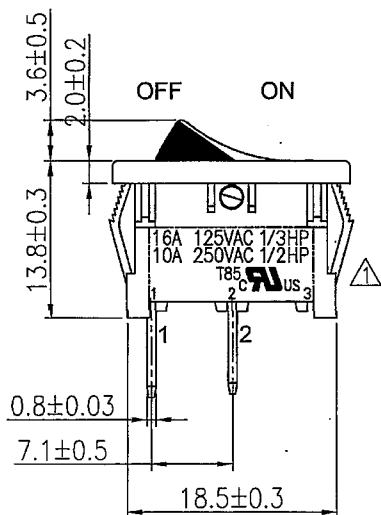


Rating	16A 125VAC 1/3 HP		Mounting Hole	Circuit Diagram
	10A 250VAC 1/2 HP			
Contact Resistance	50m ohm Max.		OFF 	
Insulation Resistance	DC 500V 100M ohm Min.			
Dielectric Strength	AC 1500V 1 minute	Thickness   X   Y 0.75~1.25   19.2-0.1   13+0.1 1.25~2   19.4-0.1   13+0.1 2~3   19.8-0.1   13+0.1	ON 	
Operation Temperature	-25°C~85°C			
Switch Function	2P SPST ON-OFF			



Material:  
Frame:Black,Nylon 66  
Actuator:Black /Blue,Nylon 66  
Terminals: Silver plated, Copper alloy



原稿  
2016.6.21  
研發部