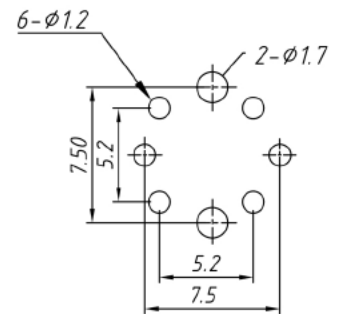
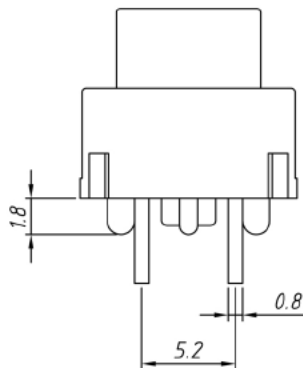
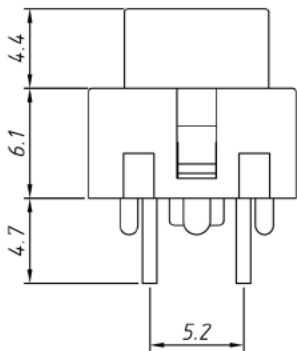
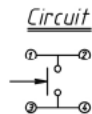
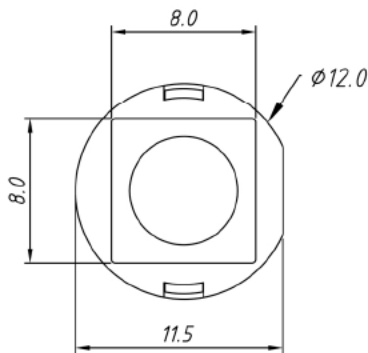


Specifications

Rating:	30mA 30VDC
Contact Resistance:	100mΩ Max
Dielectric Strength:	500VAC 1 minute
Operating Force:	200gf
Electrical Life:	100,000+ Cycles
Operating Temperature:	+10°C to +60°C



PCB LAYOUT

Description	Ref Code
Blue Square PCB Keyboard Switch SPST	481908