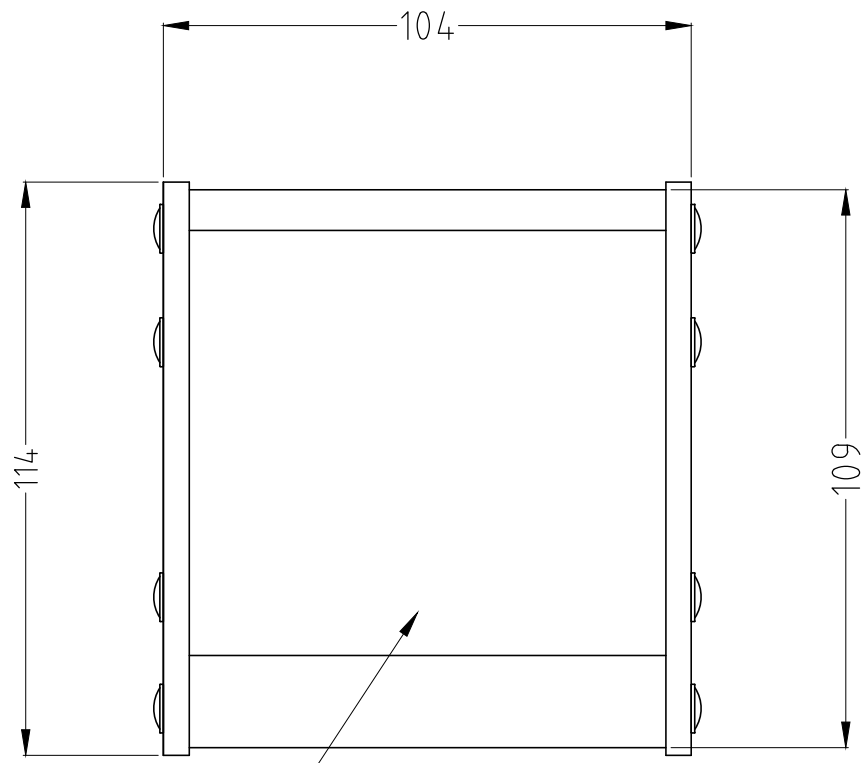
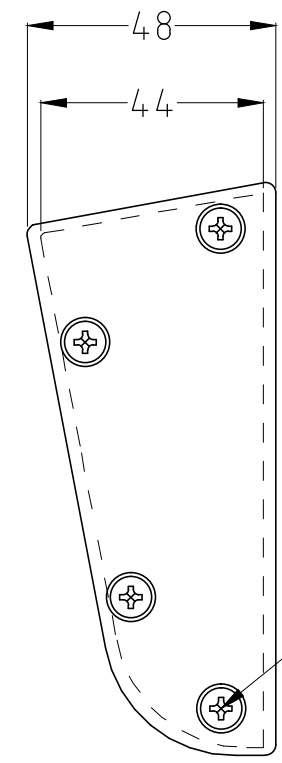


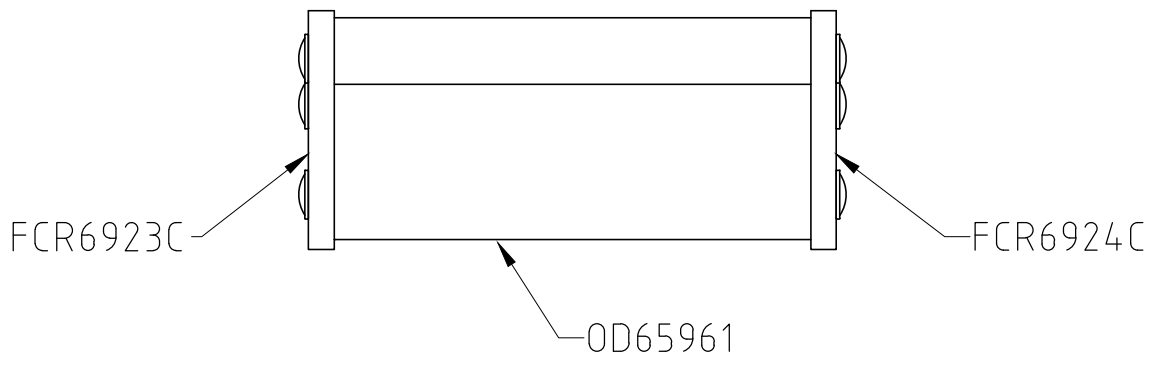
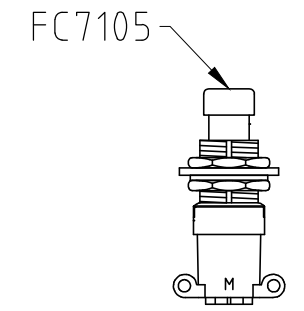
| ISS. | AMEND | DATE |
|------|--------|----------|
| 1 | ISSUED | 19/12/14 |



CL2080



OD65962



KIT INCLUDES

- 100mm ALI EXTRUSION
- 100mm BASE PLATE
- 1x RH END
- 1x LH END
- 8x SCREWS
- 1x DPDT MOMENTARY SWITCH

SUPPLIED ASSEMBLED + SWITCH

RoHS
COMPLIANT

TOLERANCE

| | |
|-------------------------|---|
| NO DEC. PLACE | ± |
| 1 DEC. PLACE | ± |
| 2 DEC. PLACE | ± |
| HOLE Ø | ± |
| ANGLES | ± |
| UNLESS OTHERWISE STATED | |

| | | | | | |
|---|--|-------------------------------------|--|--------------------------|--|
| | | 3rd ANGLE PROJECTION: | | DO NOT SCALE | |
| MATERIAL: ALI / POLYAMIDE / PVC / STEEL | | TITLE: MOMENTARY FOOT PEDAL (100mm) | | | |
| FINISH: CLEAN | | | | | |
| DRAWN: | | APPROVED: | | DRWG. No. CL2108C | |
| THE CONTENTS OF THIS DOCUMENT MUST NOT BE COPIED OR DISCLOSED TO A 3rd PARTY WITHOUT WRITTEN PERMISSION OF CLIFF UK. © 2013 | | | | FORM: A4DRWGH | |

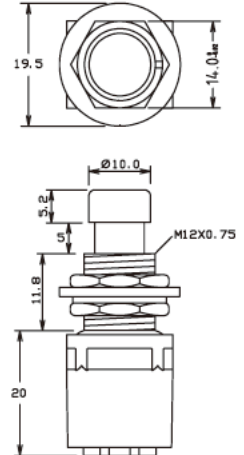
CLIFF

SWITCHES

4066 SERIES



- FC71025** SPDT ON/OFF solder tags.
- FC71035** SPDT ON/OFF PC tags
- FC7105** DPDT Momentary solder tags.
- FC71055** DPDT ON/OFF solder tags.
- FC7106** DPDT Momentary PC tags
- FC71065** DPDT ON/OFF PC tags



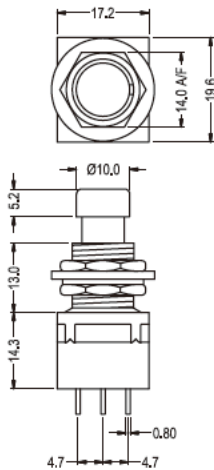
Rated 1A. 250VAC

Contact Sales for full drawing and specification.

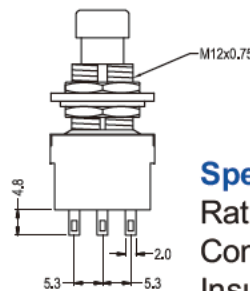
3 POLE SERIES



FC71101



3PDT switch solder tags

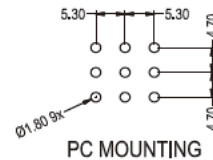
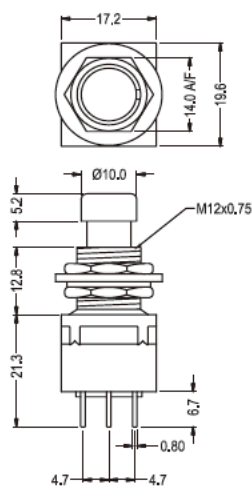


Specification

- Rating: AC125V 4A, 250V 2A.
- Contact Resistance: 20mΩ max.
- Insulation Resistance: DC500V 100MΩ min.
- Dielectric Strength: AC1500V 1 minute.
- Operating temp: -20°C to +65°C
- Electrical life: 20,000 make/break cycles at full load.



FC71102



3PDT switch PCB tags.

