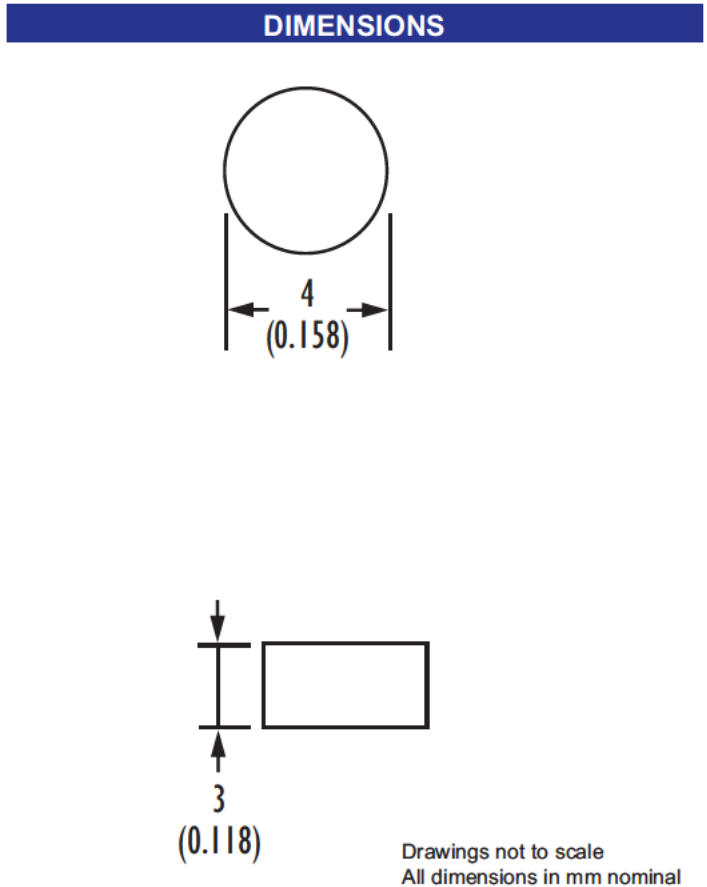


Cylindrical Neodymium Magnet
Part Number : M1219-3
Product Data Sheet



✓ RoHS Compliant



SPECIFICATION

Gauss strength at surface	3200
Magnet Material	Neodymium Iron Boron
Operating Temperature	140°C Max.
Plating	Bright Nickel
Grade	N35H

Applications Include **Options**

- | | |
|---|---|
| <ul style="list-style-type: none"> ● Position and limit sensing. ● Linear actuators. ● Security system switch. ● Door Switch. | <ul style="list-style-type: none"> ● Other sizes available ● Neodymium and Alcomax versions. ● Housed and threaded magnets available ● If you do not see what you need, just ask, as there is a strong possibility we can do it ! |
|---|---|

Did you know we also sell?



Rev. No.	Revision Note	Date	Signature
----------	---------------	------	-----------

2	Datasheet revision	21-01-13	ML
---	--------------------	----------	----