
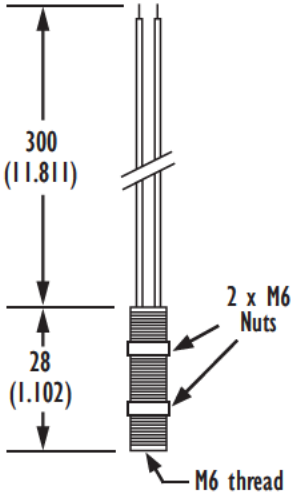


Part Number : PTC 130/30
Proximity Switch - Reed Switch based
Threaded - Change Over Contacts - Suggested Magnet: PRM
Product Data Sheet

PICTURE	DIMENSIONS	Applications Include
	 <p>300 (11.811)</p> <p>28 (1.102)</p> <p>2 x M6 Nuts</p> <p>M6 thread</p> <p>Drawings not to scale All dimensions in mm(inches) nominal</p>	<ul style="list-style-type: none"> ● Position and limit sensing. ● Linear actuators . ● Security system switch. ● Door Switch.
Options		
		<ul style="list-style-type: none"> ● M6 Thread. ● Custom cable lengths, strip lengths, cable types, terminations. ● If you do not see what you need, just ask, as there is a strong possibility we can do it !
✓ RoHS Compliant		

SPECIFICATION	
Contact Form / Style	Change Over
Switching Capacity (Resistive)	5 W/VA Max.
Switching Voltage	100 VAC Max.
Switching Current	0.5 A. Max.
Carry Current	1.0 A. Max.
Breakdown Voltage	200 VDC Min.
Contact Resistance	150 mOhms Max.
Switching Distance	3 mm Min.
Operating Temperature Range	-20°C +85°C
Storage temperature	-25°C +90°C
Case Material	Brass-Nickel Plated
Cable	3 x Round 0.22mm ² PVC Insulated Brown / White / Green

Rev. No.	Revision Note	Date	Signature
2	Datasheet Redesign	28-07-06	LG