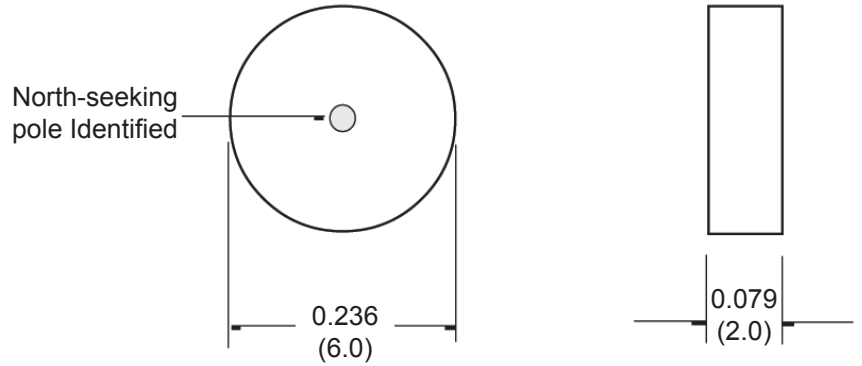


**Part Number: M1219-4**  
**Magnet - Bare**  
**Product Data Sheet**

**PICTURE**



**DIMENSIONS**



**✓ RoHS Compliant**

Drawings not to scale.  
 All dimensions in inches (mm) nominal.

**SPECIFICATION**

Magnet Material	Neodymium Iron Boron (NdFeB) Nickel plated
Distance (mm) at which magnets measure 1000 gauss	2.0
Surface flux measurement (gauss)	2500
Grade/Energy density	Grade N35H, max. energy density 35 MGOe
Operating temperature	120°C max.
Diameter	0.236"
Height	0.079"

NdFeb is a high energy material with exceptional resistance to demagnetization.