

**FEATURES**

- ※ Compact size 3.5x6 mm
- ※ Sharp click feeling
- ※ Choice of SMT terminal type

**APPLICATION**

- ※ Audio, OA equipment
- ※ Instrumentation
- ※ Industrial

**SPECIFICATION**

Contact Rating	50mA, 12V DC
Contact Resistance	100mΩ max.
Insulation Resistance	100MΩ min, 500V DC
Dielectric Strength	250V AC/1 minute
Operating Force	125±50gf, Black(K) 160±50gf, Brown(N) 260±50gf, Red(R) 320±80gf, Salmon(S) 520±130gf, Yellow(Y)
Travel	0.25mm
Operating Life	30,000 cycles for 520/320/260gf 50,000 cycles for 160/125gf
Operating Temp.	-25°C ~ +70°C
Storage Temp.	-30°C ~ +80°C

**HOW TO ORDER**

**D T S** □ - 3 □ □ - □ □

□: Through Hole  
M: J Bend Outward  
ML: S.M.T./Flat  
MF: S.M.T./Gull-wing

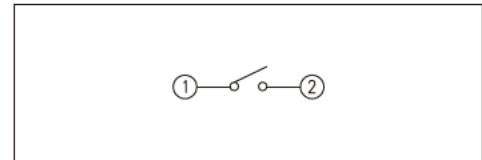
Package:  
□=Bag(Through Hole Only)  
B=Tube Package(Except DTSMF-3)  
T/R=Tape & Reel

V=RoHS & Lead Free Solderable  
Q=Halogen Free

Dimension H:  
1=4.30mm  
2=5.00mm

Operating Force:  
K=Black, 125gf  
N=Brown, 160gf  
R=Red, 260gf  
S=Salmon, 320gf  
Y=Yellow, 520gf >Not Available For Halogen Free

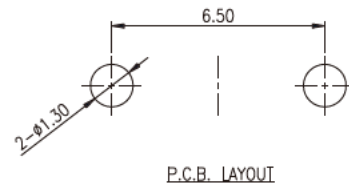
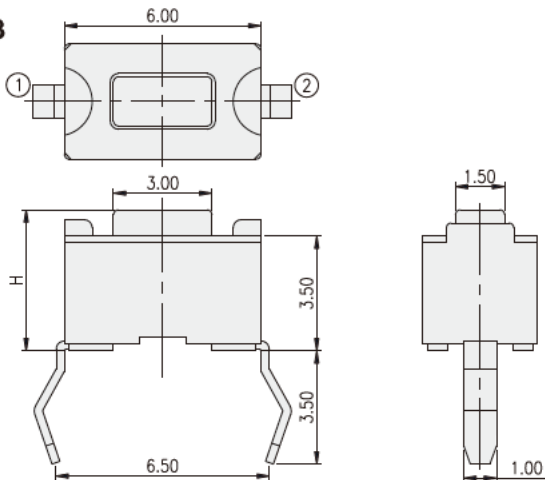
**CIRCUIT**



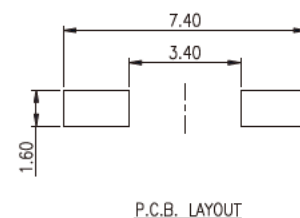
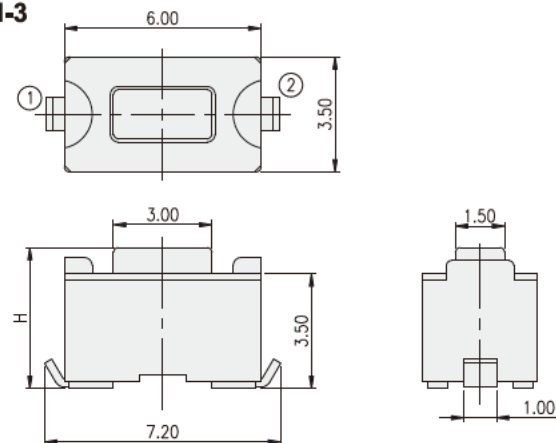
**PACKAGE**

- <Tube>  
DTS(M)(L)-3: 135 pcs
- <Bulk>  
1000 pcs
- <Tape & Reel>  
DTSM(L)(F)-31: 1800 pcs  
DTSM(L)(F)-32: 1600 pcs

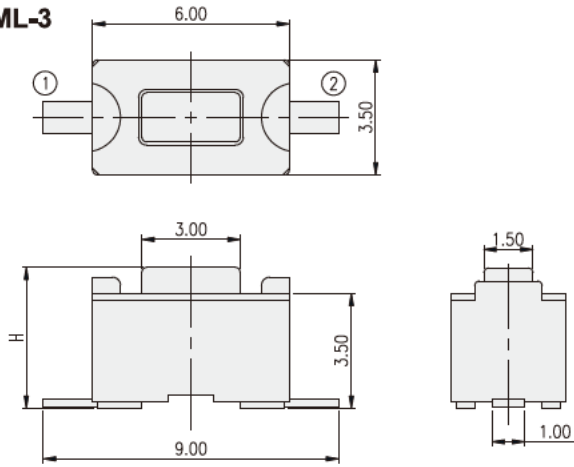
**DTS-3**



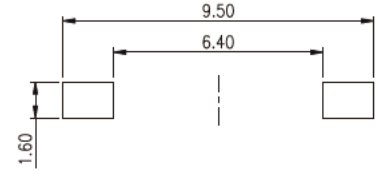
**DTSM-3**



**DTSML-3**

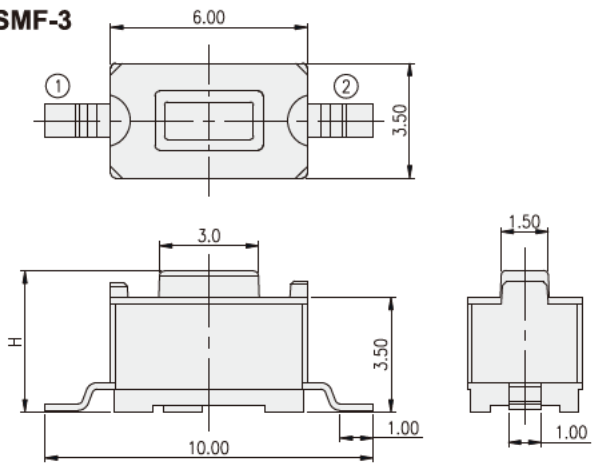


PART NO.	H
DTSML-31	4.30
DTSML-32	5.00

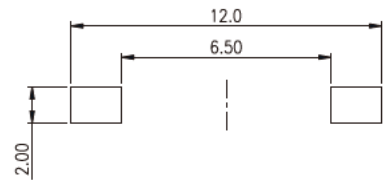


P.C.B. LAYOUT

**DTSMF-3**



PART NO.	H
DTSMF-31	4.30
DTSMF-32	5.00



P.C.B. LAYOUT