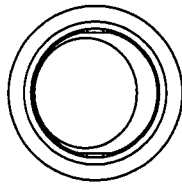
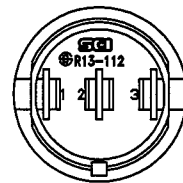
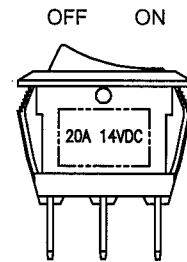
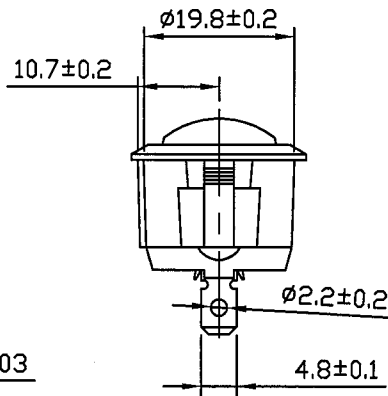
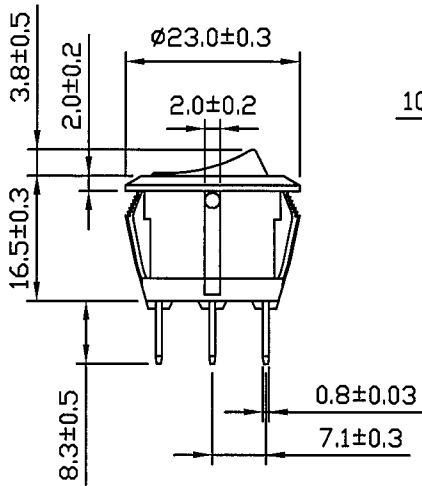
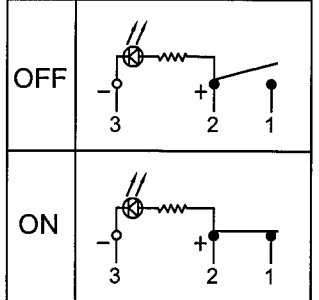


Rating	20A 14VDC	Mounting Hole	
Contact Resistance	50m ohm Max.		
Insulation Resistance	DC 500V 100M ohm Min.		
Dielectric Strength	AC 1500V 1 minute		
Operation Temperature	-25°C ~ 85°C		
Switch Function	3P SPST ON-OFF (LED dependent)		



Material:  
 Frame: Nylon#66, Black  
 Actuator: PC, Green clear  
 Printed: None

Circuit Diagram



原稿  
 2014.10.-1  
 研發部