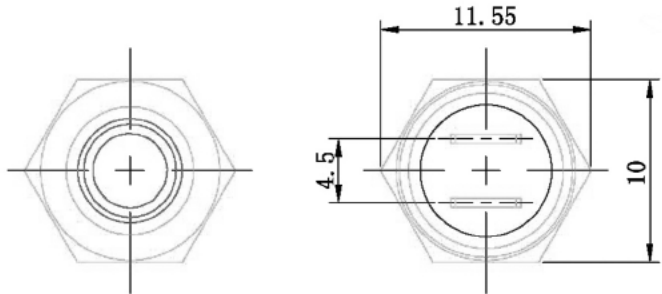
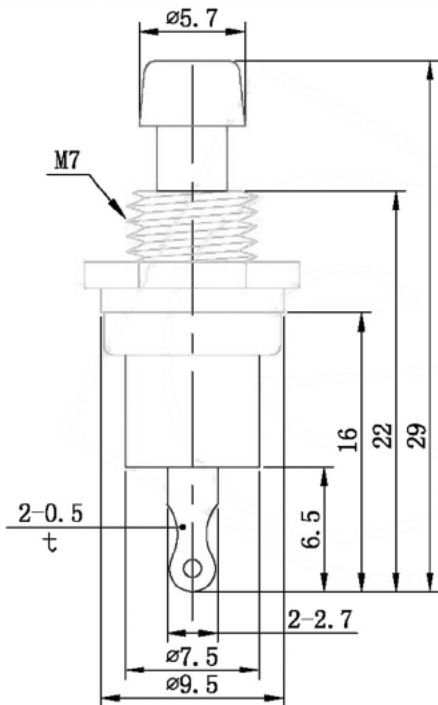
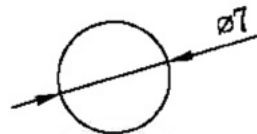


## Specifications

Rating:	8A 125VAC, 4A 250VAC
Contact Resistance:	20mΩ Max
Insulation Resistance:	100MΩ Min
Dielectric Strength:	1000VAC 1 minute
Operating Temperature:	-25°C to +85°C
Electrical Life:	50,000+ Cycles



PANEL CUT-OUT



Description	Ref Code
Green Mini Off(On) Momentary Switch SPST	103013