

IP series

Pushbutton switches for harsh environments •
bushing Ø 12 mm • latching



DISTINCTIVE FEATURES

- Latching action
- Illuminated or non-illuminated
- Compact
- Flat round actuator for optional marking
- Sealed to IP67



ENVIRONMENTAL SPECIFICATIONS

- Front panel sealing : IP67 according to IEC 60529
- Shock resistance : 100 g according to IEC 512-4, test 6c
- Vibration resistance : 10-500Hz - 10 g according to IEC 512-4, test 6d
- Salt spray : IEC 512-6, test 11f
- Robustness (non-illuminated) : IK06 according to EN 62262 (1 joule)
- Operating temperature : -40 °C to +85 °C (-40 °F to +185 °F)



ELECTRICAL SPECIFICATIONS

- Max. current/voltage rating with resistive load:

4 A 12 VDC, 200,000 cycles
1 A 48 VDC, 200,000 cycles
2 A 48 VDC, 100,000 cycles
3 A 48 VDC, 75,000 cycles
1 A 72 VDC, 15,000 cycles

For W terminals, current has
to be limited to 400 mA.

- Initial contact resistance : 100 mΩ max.
- Insulation resistance : 1 GΩ min. at 500 VDC
- Dielectric strength : 1,500 Vrms between terminals
1,000 Vrms between terminals and frame



LED COMPONENT SPECIFICATIONS

LED color	Forward current	Typ. forward voltage	Max. forward voltage
Super red (LOS)	20 mA	1.95 V	1.95 V
Yellow (LOY)	20 mA	2 V	2.05 V
Green (LOG)	20 mA	2.1 V	2.5 V
Blue (LOB)	20 mA	3.2 V	4 V

A resistor must be series-connected by the user.
Resistor value = $\frac{\text{supply voltage} - \text{LED forward voltage}}{\text{LED forward current}}$

The company reserves the right to change specifications without notice.

IP series

Pushbutton switches for harsh environments •
bushing Ø 12 mm • latching

GENERAL SPECIFICATIONS

- Panel thickness : 1.5 mm (.059) min.
5.5 mm (.217) max.
- Total travel : 2.5 mm (.098) ± 0.3 mm
- Typical operating force : 10 N
- Low level/mech. life : 200.000 cycles
- Torque : 1.5 Nm max. applied to nut
- Soldering : 320 °C (608 °F) max. for 3 sec.

MATERIALS

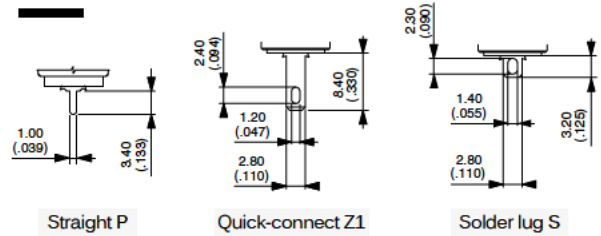
- Case : thermoplastic, UL 94-V0
- Actuator : polyamide 6/6
- Bushing/bezel : zinc die-cast (zamak), black painted
- Contacts : silver, gold plated
- Output wires (flying lead terminals) :
F version : AWG20, section 0.6 mm²
W version : AWG24, section 0.23 mm²
- LED wires :
F version : AWG26, section 0.12 mm²
W version : AWG24, section 0.23 mm²
- Lens : polycarbonate
- Terminal seal : epoxy

AGENCY APPROVAL

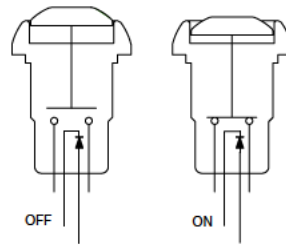


2 A 125 VAC/250 VAC
File E83438
See following pages.

TERMINALS

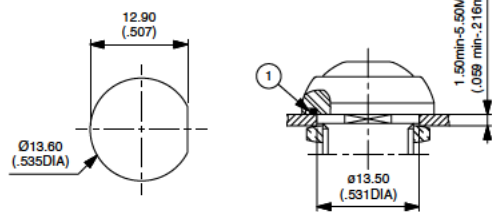


ELECTRICAL FUNCTION



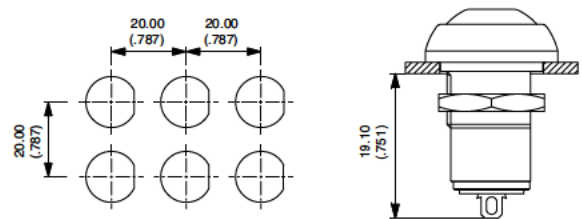
MOUNTING

PANEL CUT-OUT



① - Flat seal

MATRIX MOUNTING - BACK OF PANEL SPACE REQUIREMENT

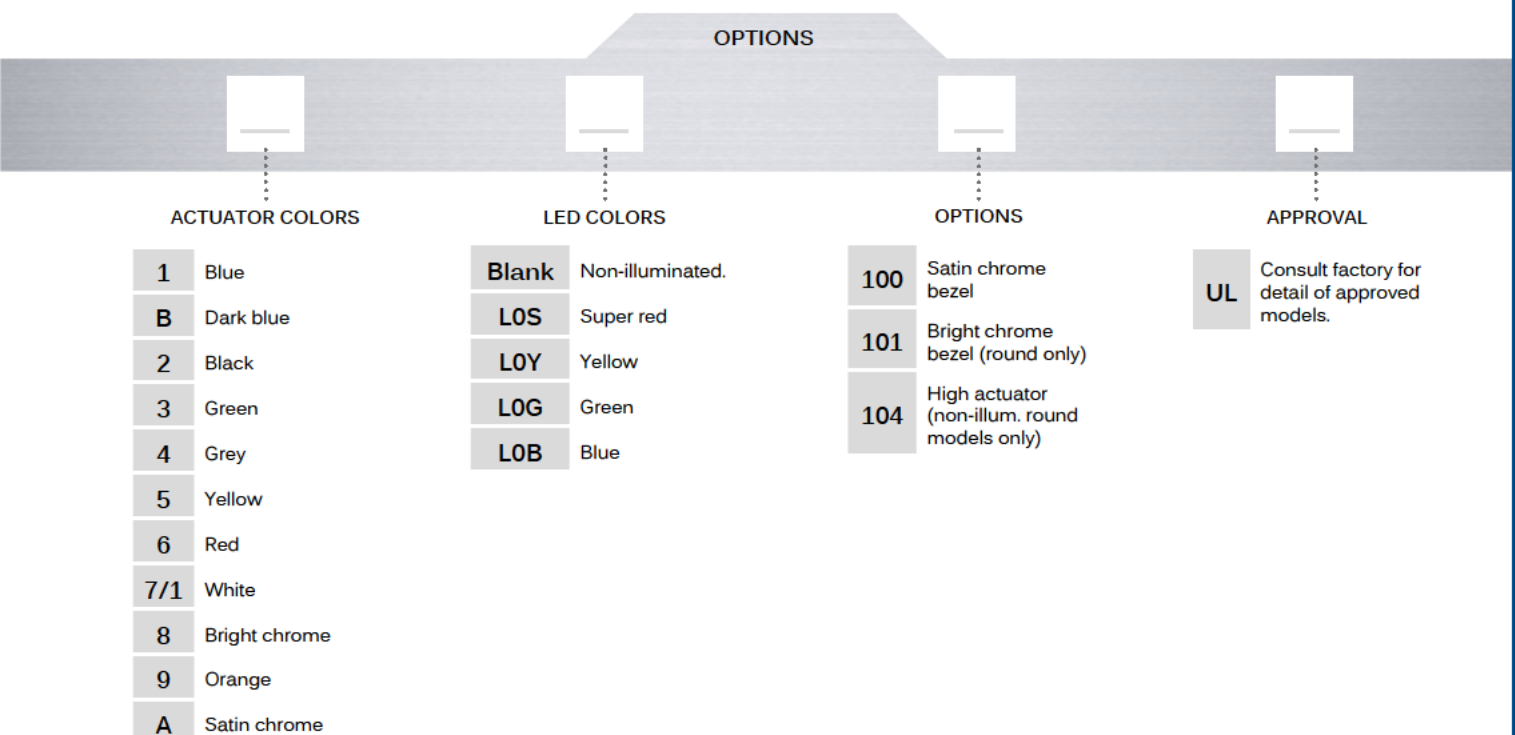
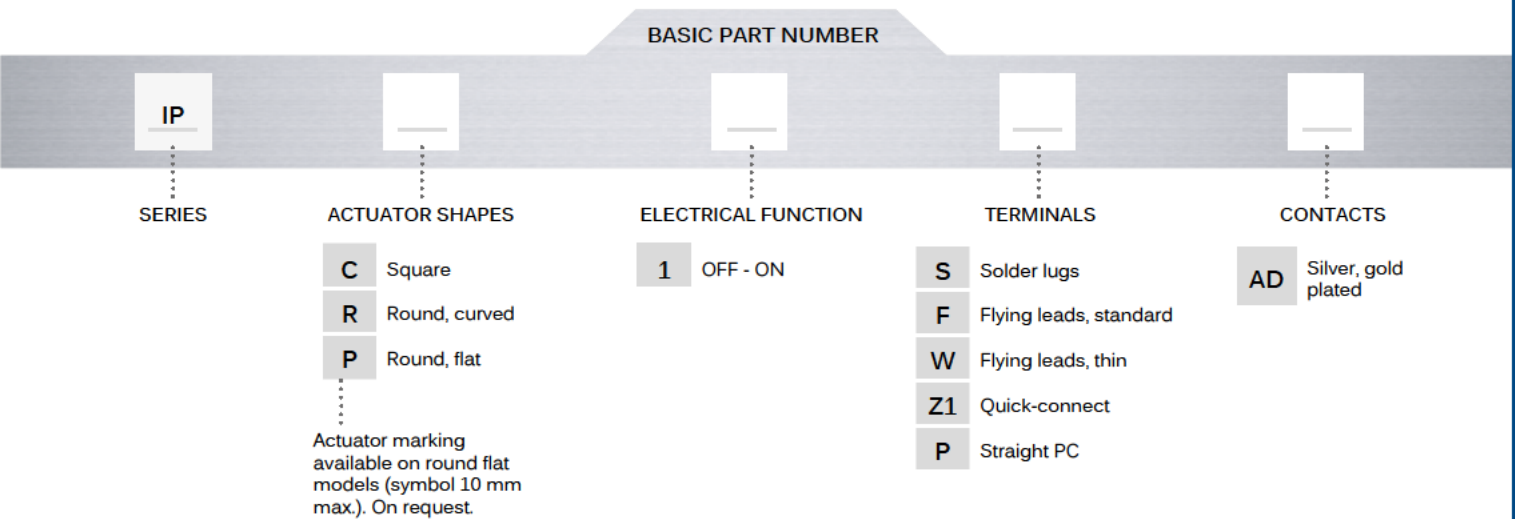


IP series

Pushbutton switches for harsh environments •
bushing Ø 12 mm • latching



BUILD YOUR PART NUMBER



ABOUT THIS SERIES

On the following pages, you will find successively basic part numbers of switches and options in the same order as in above chart.

- Notice** : please note that not all combinations of above numbers are available. Refer to the following pages for further information.
- A sealing boot** is available to protect the switches against frost and sand (P/N U5125). See "Sealing Boots" section of website.
- Mounting accessories** : Standard hardware supplied : 1 hex nut 14 mm (.551) across flats and 1 O-Ring.

IP series

Pushbutton switches for harsh environments •
bushing Ø 12 mm • latching

ILLUMINATED - SQUARE MODELS



- Solder lug terminals
 - IPC1SAD OFF - ON
- Flying lead terminals
 - IPC1FAD OFF - ON

For THIN flying leads, replace F with W.
Also available with straight PC : IPC1PAD or quick-connect terminals : IPC1Z1AD.
Wire colors : black : contact, red : LED anode(+), blue : LED cathode(-)

ILLUMINATED - ROUND MODELS



- Solder lug terminals
 - IPR1SAD OFF - ON
- Flying lead terminals
 - IPR1FAD OFF - ON

For THIN flying leads, replace F with W.
Also available with straight PC : IPR1PAD or quick-connect terminals : IPR1Z1AD.
Wire colors : black : contact, red : LED anode(+), blue : LED cathode(-)

NON-ILLUMINATED - SQUARE MODELS



- Solder lug terminals
 - IPC1SAD OFF - ON
- Flying lead terminals
 - IPC1FAD OFF - ON

For THIN flying leads, replace F with W.
Also available with straight PC : IPR1PAD or quick-connect terminals : IPC1Z1AD.

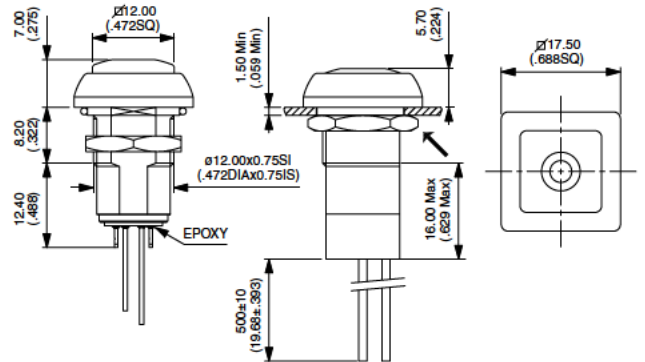
NON-ILLUMINATED - ROUND MODELS



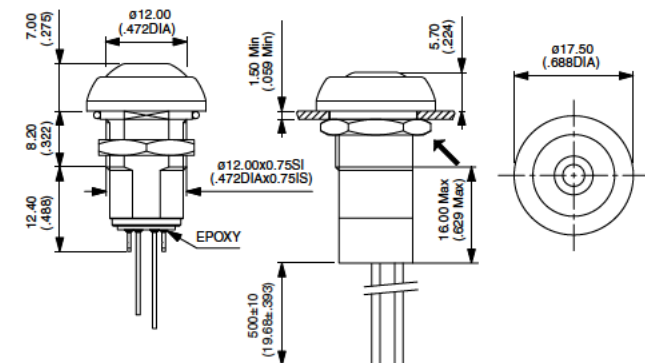
- CURVED ACTUATOR
 - Solder lug terminals IPR1SAD OFF - ON
 - Flying lead terminals IPR1FAD OFF - ON
- FLAT ACTUATOR
 - Solder lug terminals IPP1SAD OFF - ON
 - Flying lead terminals IPP1FAD OFF - ON

For THIN flying leads, replace F with W.
Also available with straight PC : IP•1PAD or quick-connect terminals : IP•1Z1AD

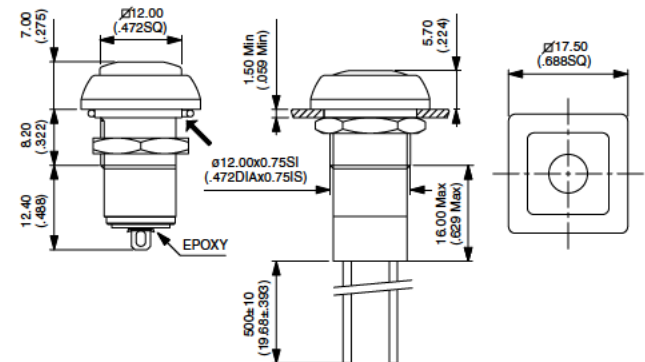
→ FLAT All drawings with standard flying lead terminals.



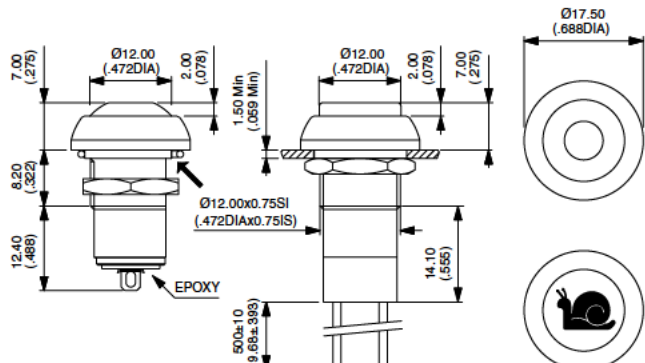
→ FLAT



→ FLAT



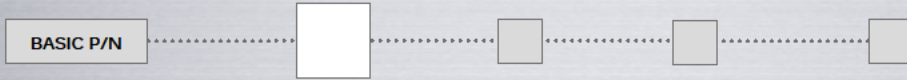
→ FLAT



IP series

Pushbutton switches for harsh environments •
bushing Ø 12 mm • latching

ACTUATOR COLORS



1	Blue	6	Red
B	Dark blue	7/1	White
2	Black	8	Bright chrome
3	Green	9	Orange
4	Grey	A	Satin chrome
5	Yellow		

LED COLORS

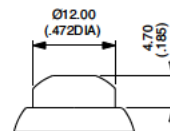


Blank	Non-illuminated
LOS	Super red
LOY	Yellow
LOG	Green
LOB	Blue

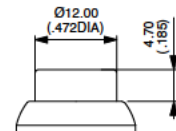
OPTIONS



100	Satin chrome bezel
101	Bright chrome bezel (round only)
104	High actuator - For round, non-illuminated only



104 IPR



104 IPP

AGENCY APPROVAL



UL
Consult factory for details of approved models.
To order switches marked UL, complete above box with "UL".