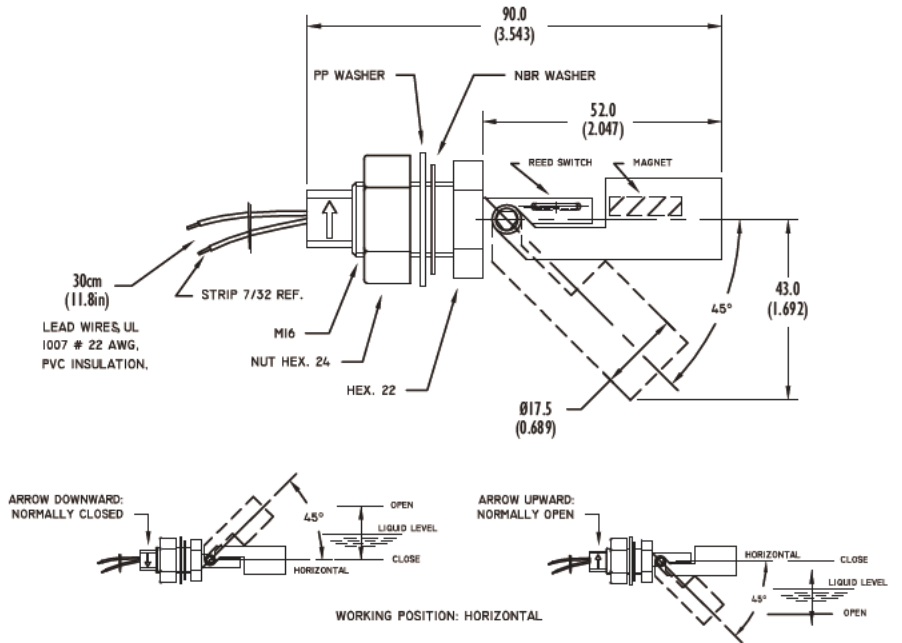


Product Data Sheet
Part Number: HFP21
Float - Reed Switch - Plastic

PICTURE **DIMENSIONS**



Drawings not to scale
 All dimensions in mm(inches) nominal

SPECIFICATIONS

Contact Form		Installation Dependant
Switching Voltage	Max. V	240 Vac / 200 Vdc
Switching Current	Max. A	0.5
Carry Current	Max. A	1.0
Switching Capacity	Max. VA	50W
Contact Resistance	Max. mOhms	200
Lead Wire		XLPE AWG22
Reversible Switch Action		YES
Operating Pressure	Max. Kg/cm ²	4.0
Operating Temperature	Deg.°C	-20° +80°
Material		Polypropylene
Suitable Specific Gravity		0.75
Weight	g.	22
Mounting Hole Diameter	mm.	16.0

REV. NO.	REVISION NOTE	DATE	SIGNATURE
B	Datasheet Redesign	May 29, 2008	LG

Take a look at our variety of products

