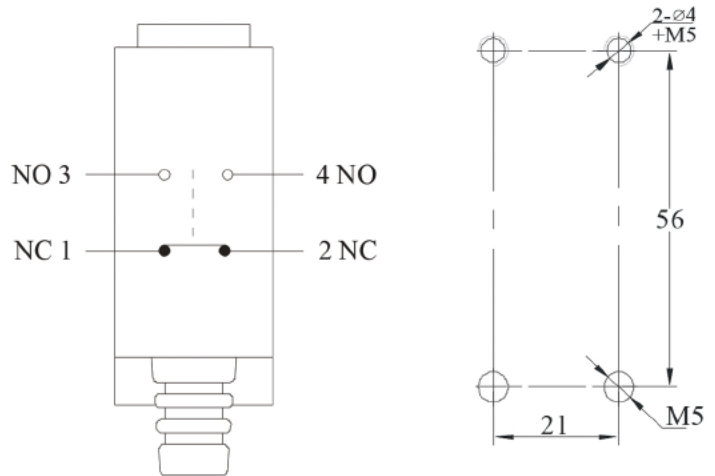
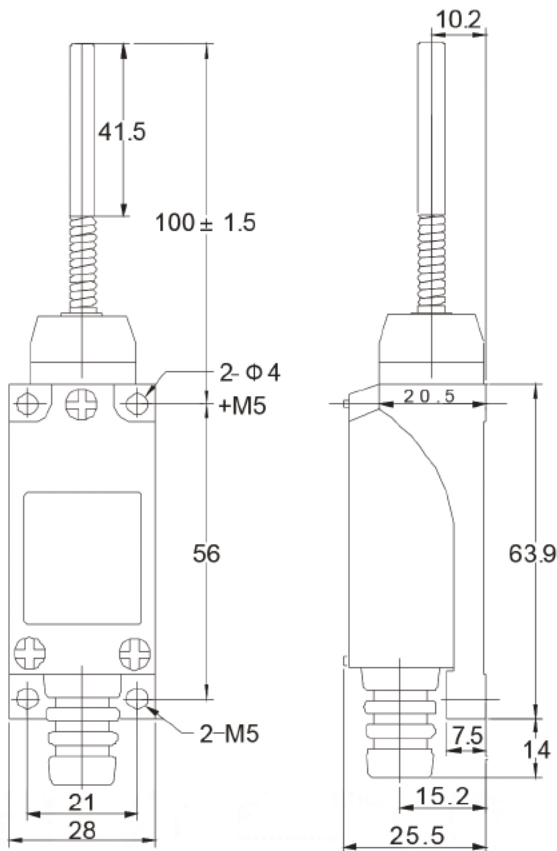


Specifications

Rating:	5A 250VAC
Contact Resistance:	25mΩ Max
Insulation Resistance:	100MΩ Min
Dielectric Strength:	1000VAC 1 minute
Protection Level:	IP65
Operating Force:	1000g
Operating Temperature:	-25°C to +60°C
Electrical Life:	100,000+ Cycles



Description	Ref Code
IP65 Spring Rod Actuator Limit Switch Zinc Alloy NO/NC 250V 5A	123062