

# IQ series

Sealed pushbutton switches • bushing Ø 16 mm •  
snap-in mounting • latching



## DISTINCTIVE FEATURES

- Snap-in mounting for easy installation
- Latching action models
- Illuminated or non-illuminated
- Flat round actuator for optional marking
- Sealed to IP54



## ENVIRONMENTAL SPECIFICATIONS

- Front panel sealing : IP54 according to IEC 60529
- Shock resistance : 100 g according to IEC 512-4, test 6c
- Vibration resistance : 10-500Hz - 10 g according to IEC 512-4, test 6d
- Salt spray : IEC 512-6, test 11f
- Operating temperature : -40 °C to +85 °C (-40 °F to +185 °F)



## ELECTRICAL SPECIFICATIONS

- Max. current/voltage rating with resistive load (gold plated contacts) :
  - Code 4 : 100 mA 24 VDC, 200,000 cycles
  - Code 7 : 4 A 12 VDC, 200,000 cycles  
1 A 48 VDC, 200,000 cycles  
3 A 48 VDC, 75,000 cycles
- Initial contact resistance : 100 mΩ max.
- Insulation resistance : 1 GΩ min. at 500 VDC
- Dielectric strength : 1,500 Vrms



### LED COMPONENT SPECIFICATIONS

LED color	Forward current	Typ. forward voltage	Max. forward voltage
Super red (LOS)	20 mA	1.95 V	1.95 V
Yellow (LOY)	20 mA	2 V	2.05 V
Green (LOG)	20 mA	2.1 V	2.5 V
Blue (LOB)	20 mA	3.2 V	4 V

A resistor must be series-connected by the user.  
Resistor value =  $\frac{\text{supply voltage} - \text{LED forward voltage}}{\text{LED forward current}}$

On flying lead versions, the LED resistor can be integrated by SOCOJE on request.

The company reserves the right to change specifications without notice.

# IQ series

Sealed pushbutton switches • bushing Ø 16 mm • snap-in mounting • latching

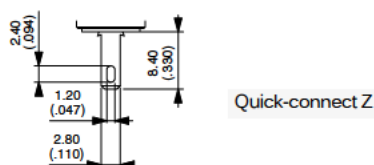
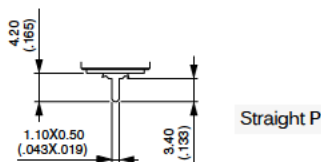
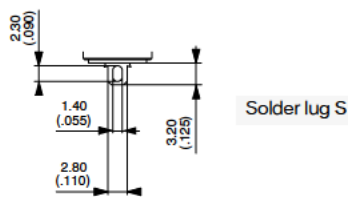
## GENERAL SPECIFICATIONS

- Panel thickness :  
with flat seal : 2.20 mm (.088) max.  
without flat seal : 3 mm (.118) max.
- Total travel : 2.5 mm (.098) ± 0.3 mm
- Typical operating force : 5 N ± 2 N
- Low level or mechanical life : 200,000 cycles
- Soldering : 320 °C (608 °F) max. for 3 sec.

## MATERIALS

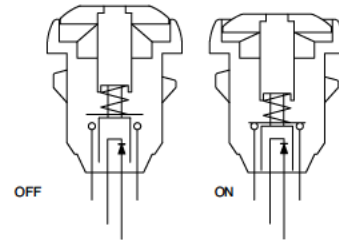
- Case : thermoplastic UL94-V0
- Plunger : polyamide
- Bushing/bezel : polyamide
- Contacts : silver, gold plated (codes 4 and 7)
- Multi-wire lead AWG20, section 0.6 mm<sup>2</sup>
- LED wire : AWG26, section 0,12 mm<sup>2</sup>
- Lens : polycarbonate
- Terminal seal : epoxy

## TERMINALS

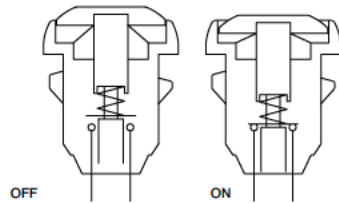


## ELECTRICAL FUNCTIONS

### ILLUMINATED MODELS

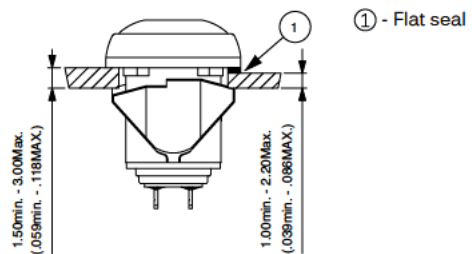
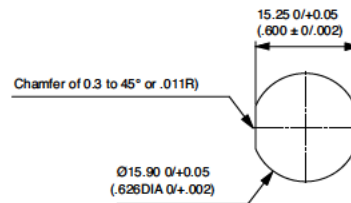


### NON-ILLUMINATED MODELS

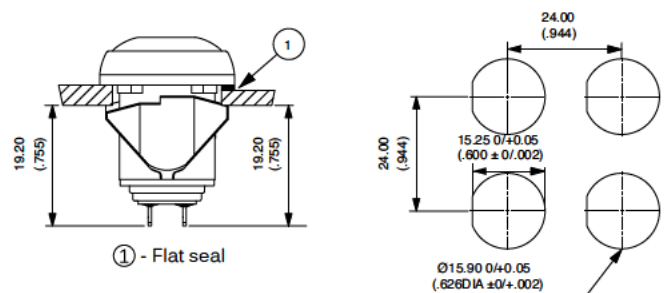


## MOUNTING

### PANEL CUT-OUT



### BACK OF PANEL SPACE REQUIREMENT - MATRIX MOUNTING

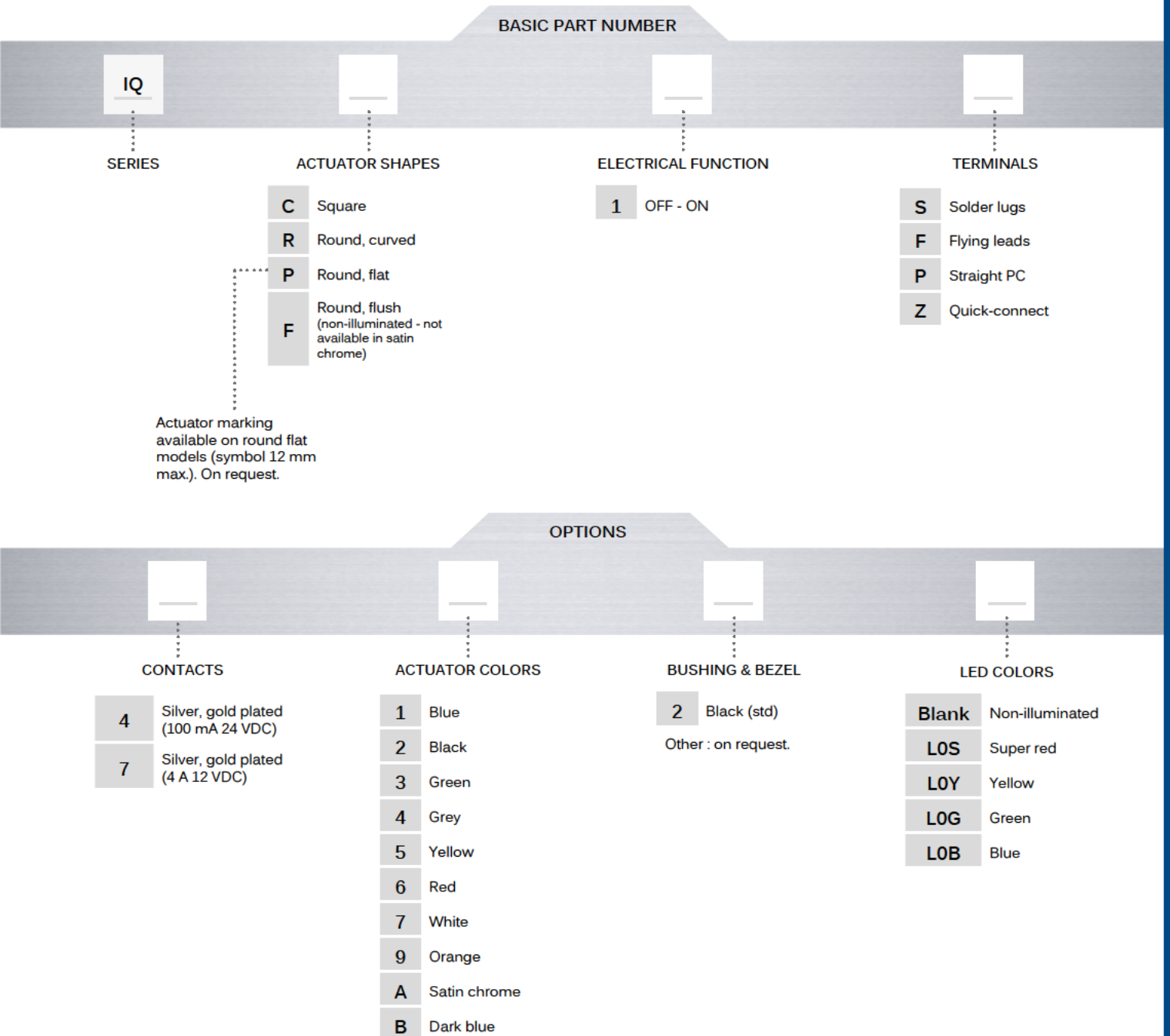


# IQ series

Sealed pushbutton switches • bushing Ø 16 mm • snap-in mounting • latching



## BUILD YOUR PART NUMBER



## ABOUT THIS SERIES

On the following pages, you will find successively basic part numbers of switches and options in the same order as in above chart.



**Notice :** please note that not all combinations of above numbers are available. Refer to the following pages for further information.



**Mounting accessories :** Standard hardware supplied : 1 flat seal

# IQ series

Sealed pushbutton switches • bushing Ø 16 mm • snap-in mounting • latching

## ROUND - ILLUMINATED SOLDER LUG TERMINALS



Curved actuator		
<b>IQR1S</b>	OFF - ON	
Flat actuator		
<b>IQP1S</b>	OFF - ON	

Also available with straight PC terminals : IQ•1P and quick-connect terminals : IQ•1Z.

## ROUND - ILLUMINATED FLYING LEAD TERMINALS



Curved actuator		
<b>IQR1F</b>	OFF - ON	
Flat actuator		
<b>IQP1F</b>	OFF - ON	

Wire colors : black : contact, red : LED anode (+), blue : LED cathode (-)

## ROUND - NON-ILLUMINATED SOLDER LUG TERMINALS



Curved actuator		
<b>IQR1S</b>	OFF - ON	
Flat actuator		
<b>IQP1S</b>	OFF - ON	

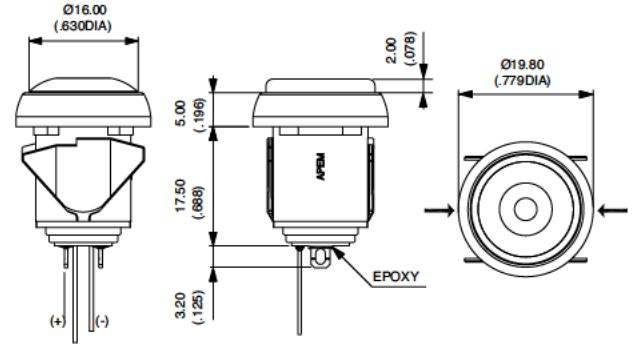
Also available with straight PC terminals : IQ•1P and quick-connect terminals : IQ•1Z.

## ROUND - NON-ILLUMINATED FLYING LEAD TERMINALS

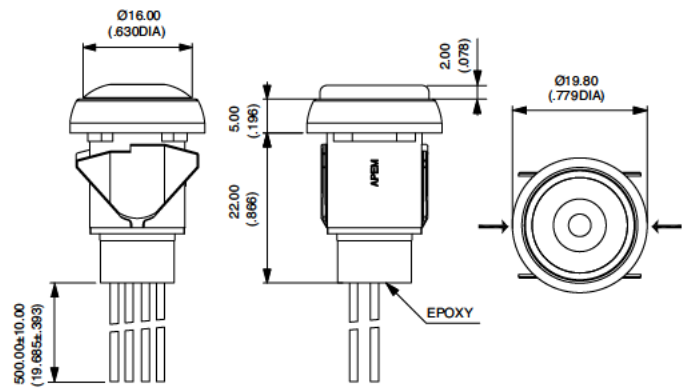


Curved actuator		
<b>IQR1F</b>	OFF - ON	
Flat actuator		
<b>IQP1F</b>	OFF - ON	

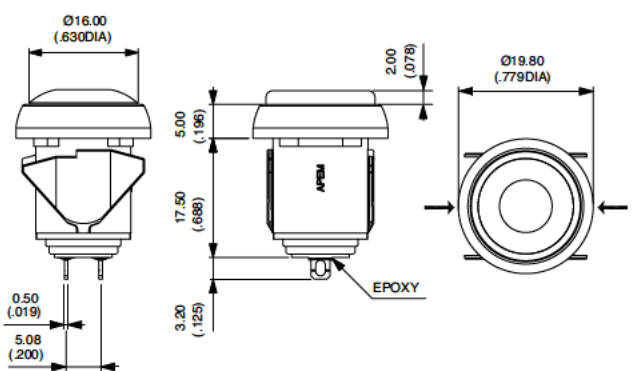
→ FLAT



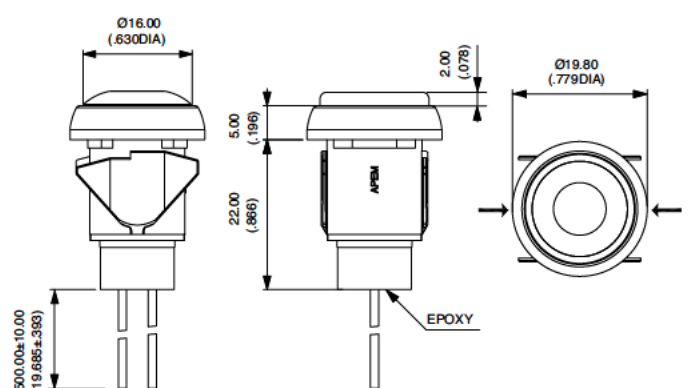
→ FLAT



→ FLAT



→ FLAT



# IQ series

Sealed pushbutton switches • bushing Ø 16 mm • snap-in mounting • latching

## SQUARE - ILLUMINATED SOLDER LUG TERMINALS



Curved actuator

**IQC1S**

OFF - ON

Also available with straight PC terminals : IQC14  
& quick-connect terminals : IQC1Z.

## SQUARE - ILLUMINATED FLYING LEAD TERMINALS



Curved actuator

**IQC1F**

OFF - ON

Wire colors : black : contact, red : LED anode (+), blue : LED cathode (-)

## SQUARE - NON-ILLUMINATED SOLDER LUG TERMINALS



Curved actuator

**IQC1S**

OFF - ON

Also available with straight PC terminals : IQC1P  
& quick-connect terminals : IQC1Z.

## SQUARE - NON-ILLUMINATED FLYING LEAD TERMINALS

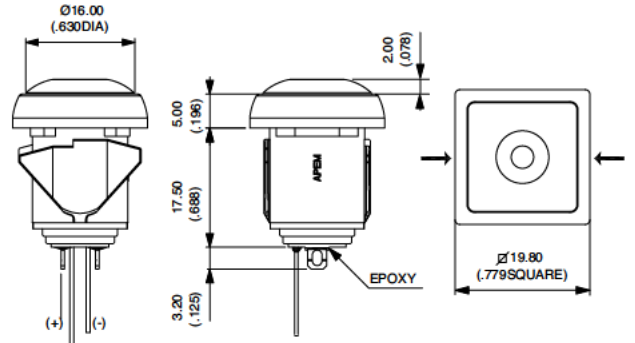


Curved actuator

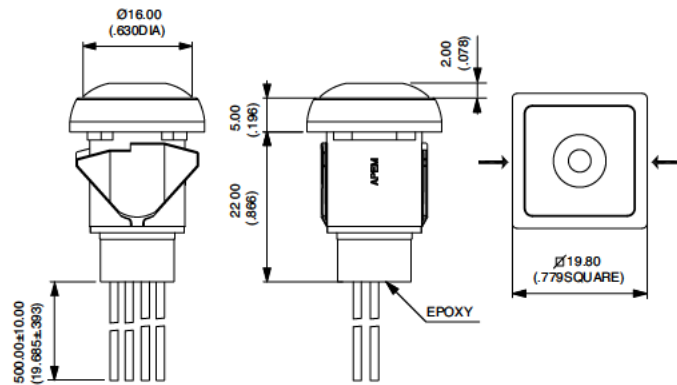
**IQC1F**

OFF - ON

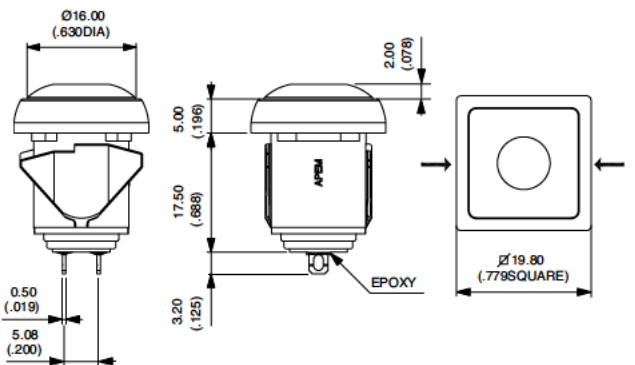
→ FLAT



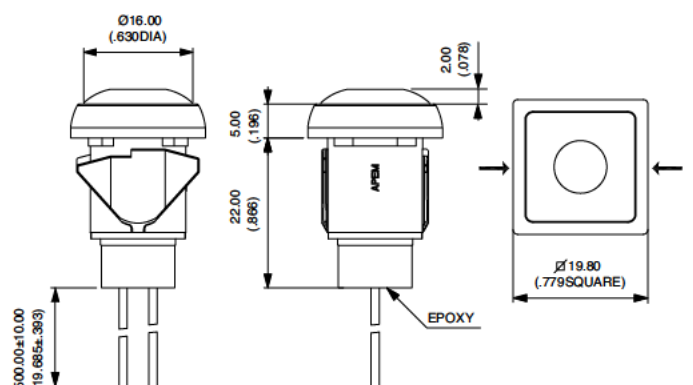
→ FLAT



→ FLAT



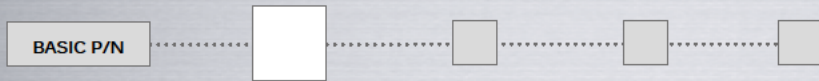
→ FLAT



# IQ series

Sealed pushbutton switches • bushing Ø 16 mm •  
snap-in mounting • latching

## CONTACT MATERIALS



- 4 Silver, gold plated (100 mA 24 VDC)
- 7 Silver, gold plated (4 A 12 VDC)

## ACTUATOR COLOR



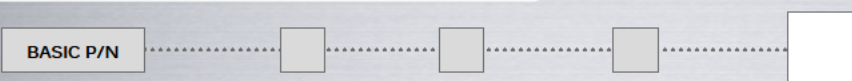
- 1 Blue
- B Dark blue
- 2 Black
- 3 Green
- 4 Grey
- 5 Yellow
- 6 Red
- 7 White
- 9 Orange
- A Satin chrome

## BUSHING AND BEZEL



- 2 Black (standard)

## LED COLORS



- Blank Non-illuminated
- LOS Super Red
- LOY Yellow
- LOG Green
- LOB Blue