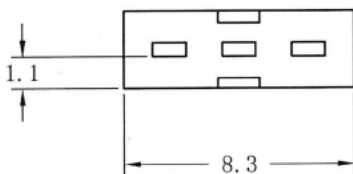
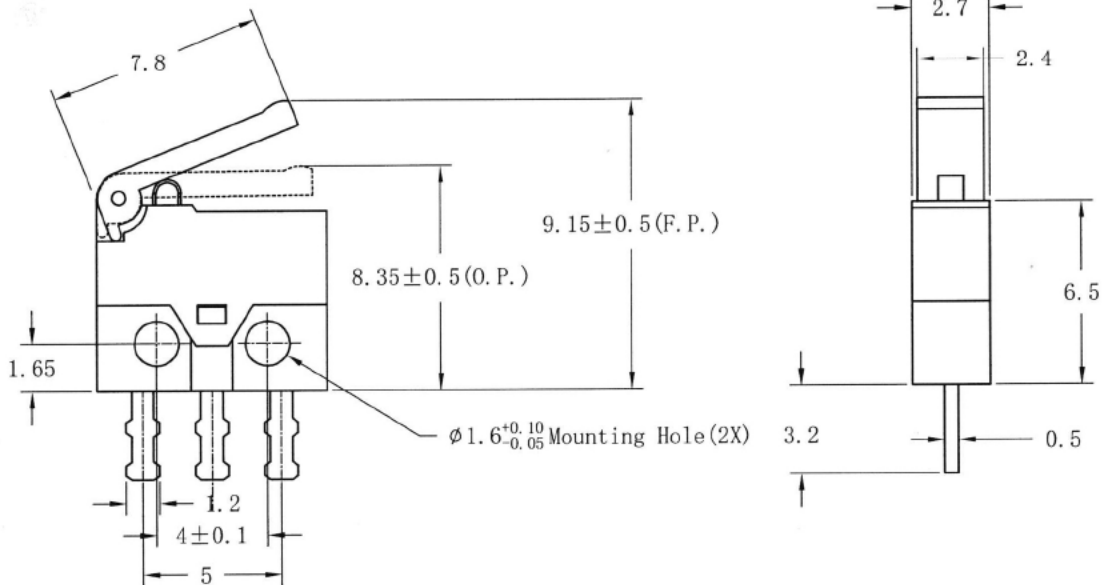


Specifications

Rating:	0.3A 6VDC
Operating Force:	100gf
Contact Resistance:	50mΩ Max
Insulation Resistance:	100MΩ Min
Electrical Life:	50,000+ Cycles
Operating Temperature:	-25°C to +85°C



Description	Ref Code
Lever Microminiature Microswitch SPDT	483501