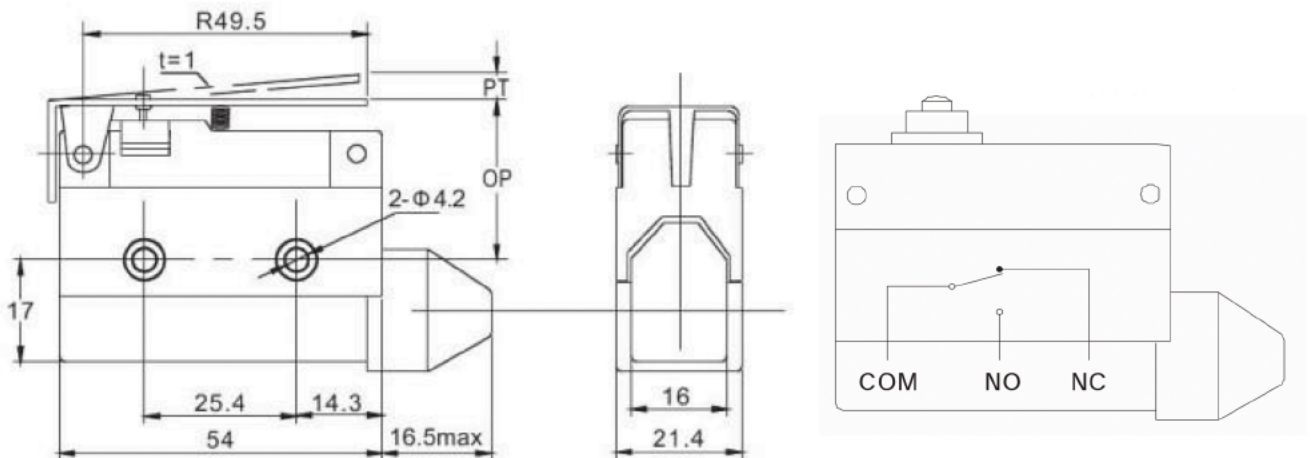


## Specifications

Rating:	10A 250VAC
Protection Level:	IP65
Operating Force:	160g
Contact Resistance:	25mΩ Max
Insulation Resistance:	100MΩ Min
Dielectric Strength:	1000VAC 1 minute
Operating Temperature:	-25°C to +80°C
Electrical Life:	100,000+ Cycles



Description	Ref Code
Lever Plunger Microswitch IP65 NO/NC 250V 10A	123049