
SPECIFICATION

Product Name: Micro switch

Model: XV-156-1C25

1. Features&Application

Adopt thermosetting plastic or thermoplastic

Small contact gap, snap action, high sensitivity and small operating travel

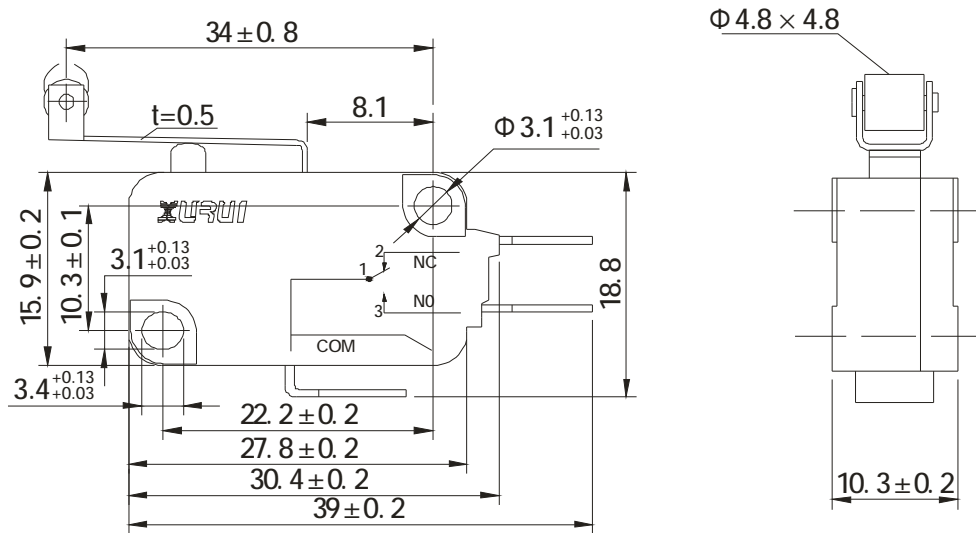
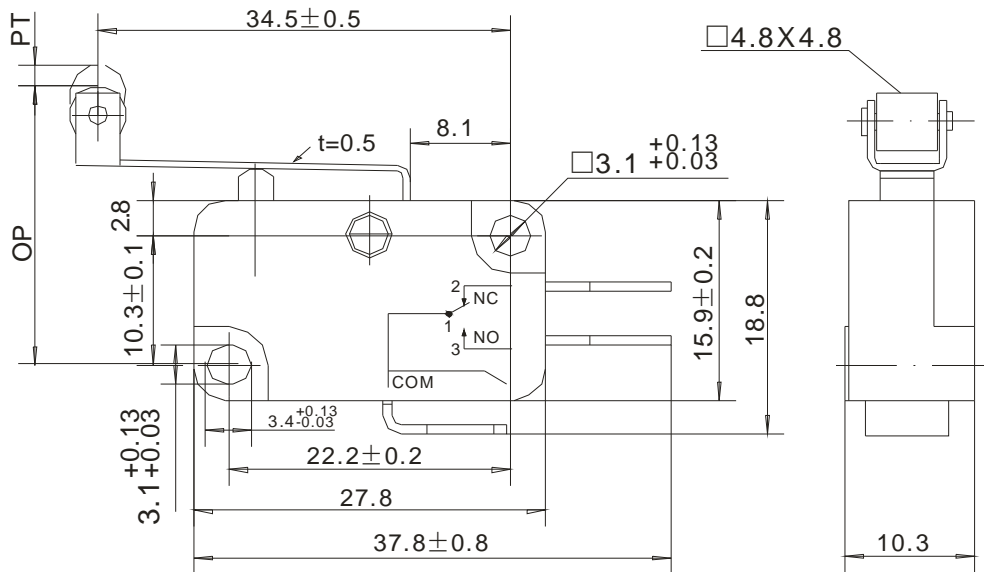
Variety of levers

Widely used in appliance, electronic equipment, automatic machine, communication equipment, car electric, apparatus and instrument, electro motion tool etc

2. Product Photo

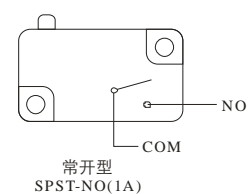
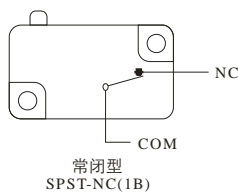
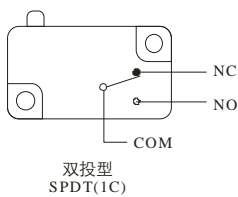


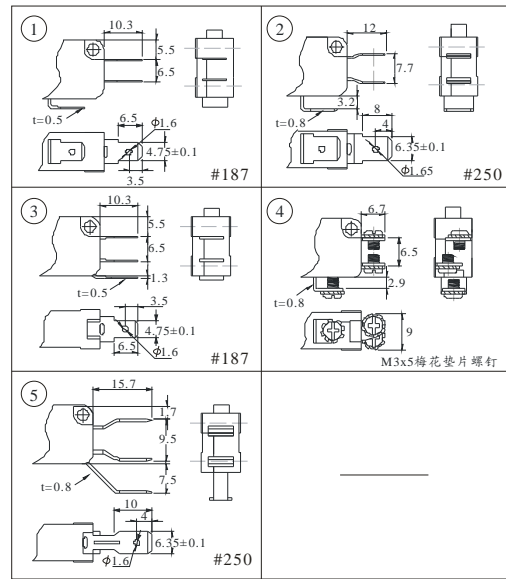
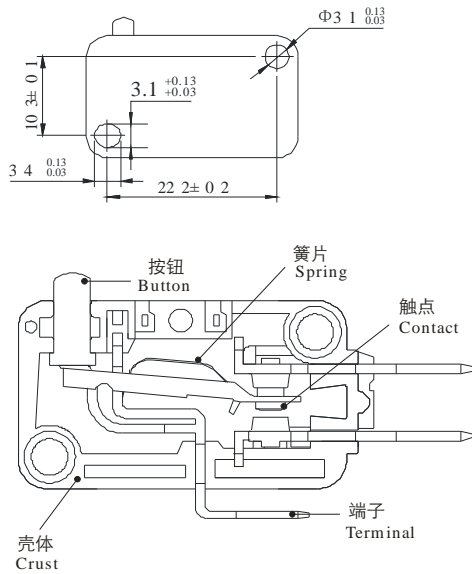
3. Dimension



动作力	OF max.	125g
回复力	RF min.	14g
预行程	PT max.	3.0mm
超行程	OT min.	1.2mm
差行程	MD max.	0.8mm
动作位置	OP	20.5 ± 1.2 mm

4. Contact Form





5. Specification

项 目	Item	参 数 值	Data
操作速度	Operating speed	0.1mm-1m/s	
操作频率	Operating frequency	机 械	Mechanical
		电 气	Electrical
绝缘电阻	Insulation resistance	100MΩ以上 (Above) DC500V	
接触电阻	Contact resistance	25mΩ (初值 initial value)	
介质耐压	Withstand voltage	非 连 线	Non-connection wire
		各端子间	Every terminal
振 动	Vibration	误 动 作	Misoperation
冲 击	Impact	耐 久	Durable
		误 动 作	Misoperation
寿 命	Life	电 气	Electrical
		机 械	Mechanical
防护等级	Protection degree	IP40	
使用温度	Operating temperature	-25~+80℃	
使用湿度	Operating humidity	<85%	

额定电压Ue(V)	额定电流Ie(A)	发热电流Ith(A)
AC-250	7.5	10
AC-125	15	20
DC-250	0.3	0.45
DC-125	0.6	0.75

6. Certificate

CCC, CE, UL, TUV, KC