
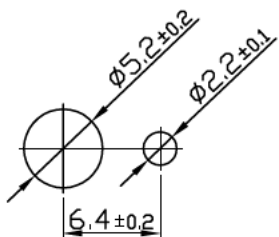

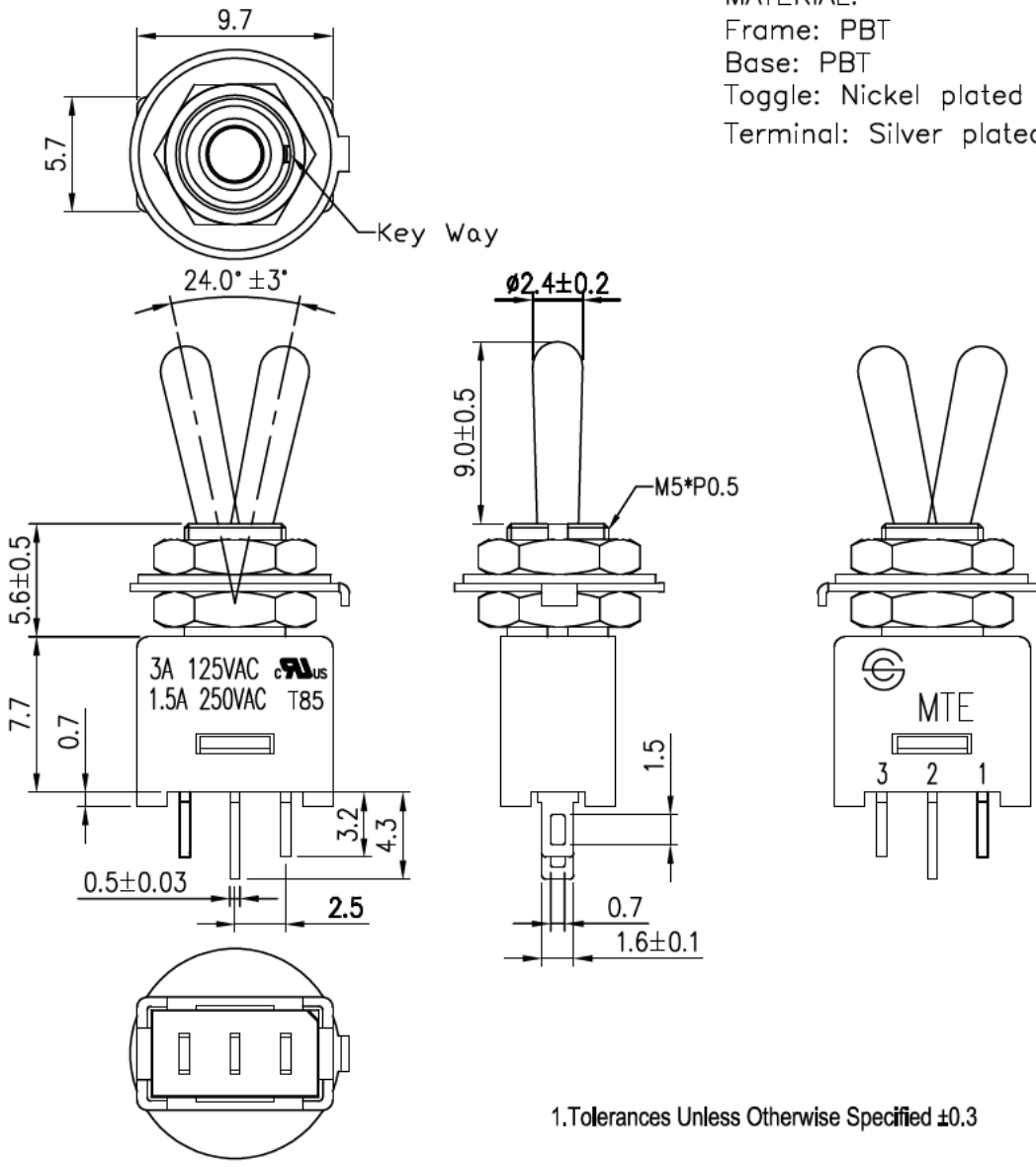


Rating	3A 125V AC 1.5A 250V AC	 T85	Mounting Hole	Circuit Diagram
Contact Resistance	20m ohm Max			
Insulation Resistance	DC 500V 100M ohm Min			
Dielectric Strength	AC 1000V 1 minute			
Operation Temperature	-20°~85°			
Switch Function	3P SPDT ON-ON			



MATERIAL:  
 Frame: PBT  
 Base: PBT  
 Toggle: Nickel plated brass  
 Terminal: Silver plated copper

1.Tolerances Unless Otherwise Specified ±0.3

								△
7/28/12	Ruby							△
Date	Name	Description						No.
Drawn	Checked	Approved	BOM No.	1870024	Model Name	Mini Toggle Switch		
Ruby			Customer No.		Model No.	MTE102A1		Rev.
7/28/12	7/30/12	7/30/12	Unit	mm				1