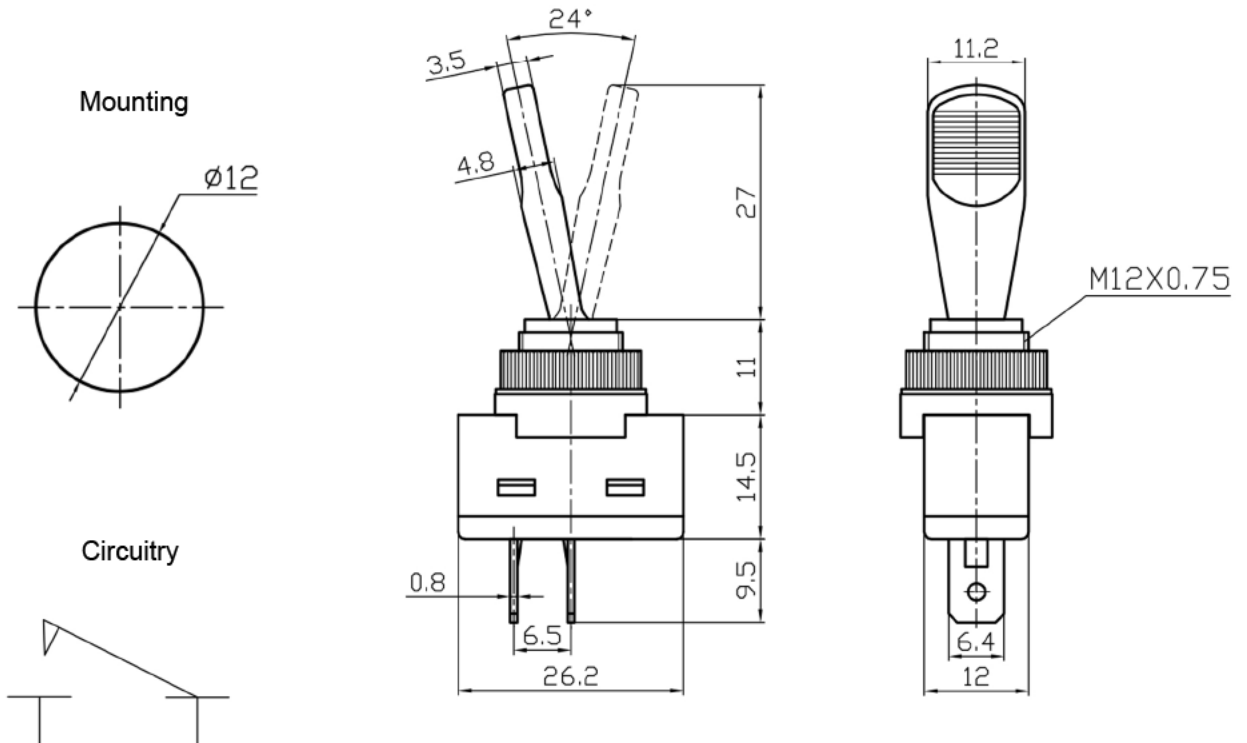


Specifications

Rating:	10A 125VAC, 20A 12VDC
Contact Resistance:	50mΩ Max
Insulation Resistance:	100MΩ Min
Dielectric Strength:	1500VAC 1 minute
Operating Temperature:	-25°C to +85°C
Electrical Life:	10,000+ Cycles



Description	Ref Code
Off-(On) Black Momentary Toggle Flick Switch SPST 20A 12VDC	482226