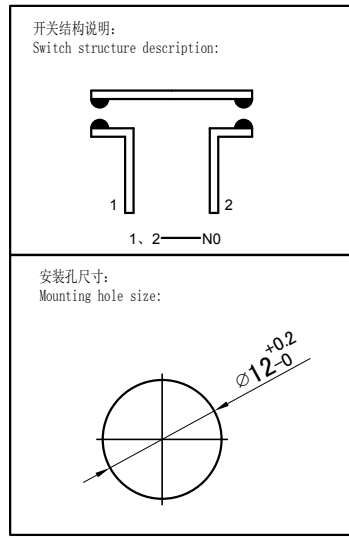
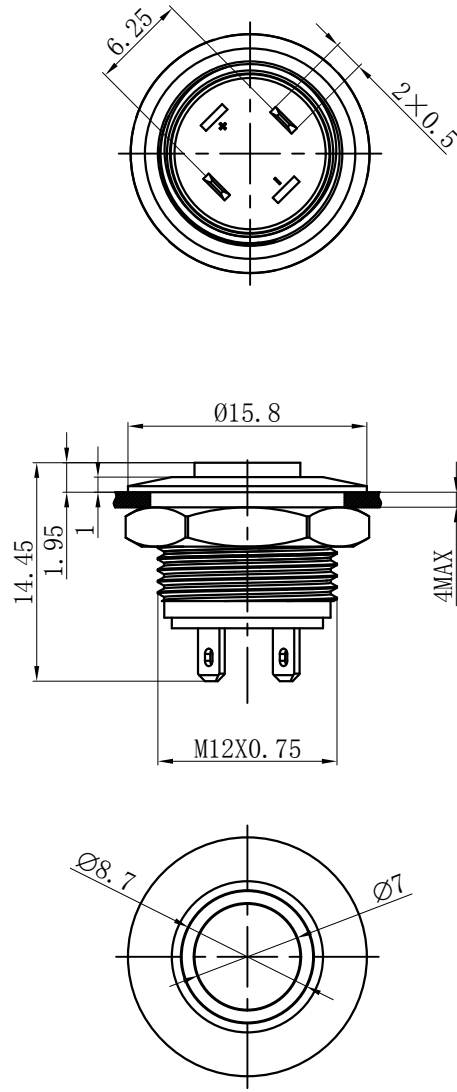


UNIT: mm (毫米)



性能要求:
Performance requirements:

- 防护等级: IP67;
Protection grade: IP67.
- 接触电阻: $\leq 50\text{m}\Omega$;
Contact resistance: $\leq 50\text{m}\Omega$.
- 绝缘电阻: $\geq 100\text{M}\Omega$;
The insulation resistance: $\geq 100\text{M}\Omega$
- 抗电强度: AC250V, 1min, 无闪烁、击穿;
Electrical resistance: AC250V, 1min, no flicker and breakdown;
- 寿命: 在额定负载下动作8万次无异常。
life: under the rated load movement 80000 times without exception.

技术要求:
Technical requirements:

- 表面光洁, 平整无毛刺;
The surface is smooth without burr;
- 参数/批次字迹清晰, 无错位;
Clear handwriting of parameters/batches without any dislocation;
- 电气参数: Ith: 50mA Ui: DC12V;
Electrical parameters: 50mA Ui: DC12V;
- 工作环境温度: $-25^{\circ}\text{C} \sim +65^{\circ}\text{C}$;
Working environment temperature: $-25^{\circ}\text{C} \sim +65^{\circ}\text{C}$;
- 动作形式: 自复式;
Operation type: Momentary;
- 动作行程: 约0.5mm;
Movement stroke: about 0.5mm
- 连接形式: 配套接插件/焊接导线;
Connection form: Matching connectors/Welding wire;
- 拧紧力矩: 约0.4Nm;
Tightening torque: about 0.4Nm;
- 开关组合: 1NO;
Contact configuration: 1NO;
- 外观材料: 按键: 不锈钢; 黄铜
外壳: 不锈钢; 黄铜
底座: PBT;
Appearance material: Button surface: Stainless steel; Nickel-Plated Brass
Housing: stainless steel; Nickel-Plated Brass
Pedestal: PBT;
- 未标注公差按照GB/T 1804-m级。
Unmarked tolerance shall be in accordance with GB/T 1804-m class.

描 图

描 校

底 图 号

装 订 号

DR.	APPD.	SCALE.	countersign.	Date.	名称(TITLE): M12 metal waterproof button switch M12金属防水按钮开关
制 图	审 核	比 例	会 签	日 期	
		2:1		2022.7.4	
PW.	P.	页 码	第1页 共1页 (1/1)		