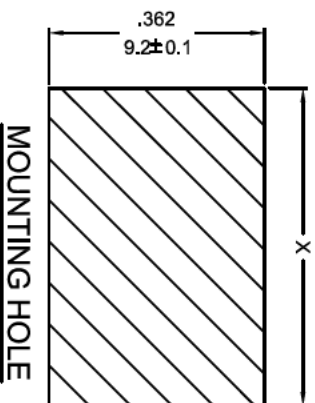
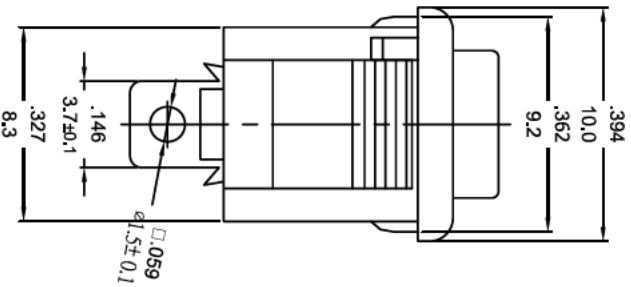
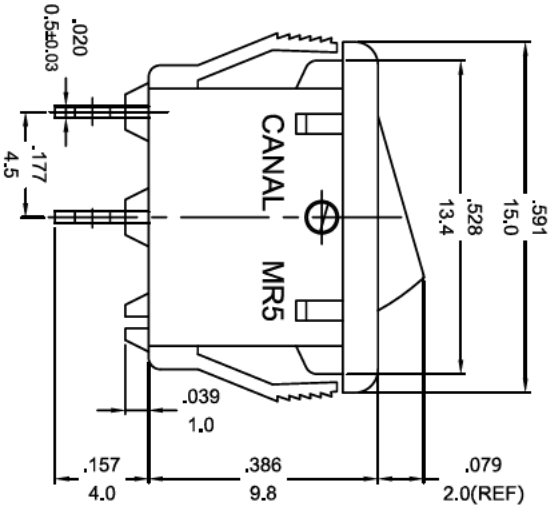


**ROCKER SWITCH MODEL MR5 SERIES**  
 RATING: 6A 125VAC , 3A 250VAC  
 3A 250V~ μT100/55  
 DIELECTRIC VOLTAGE-WITHSTAND: 1,000VAC FOR 1 MINUTE  
 INSULATION RESISTANCE: DC 500V 100MΩ (MIN.)  
 CONTACT RESISTANCE: 20mΩ INITIAL (MAX.)



**MOUNTING HOLE**

X	Cutout Dimension	Panel Thickness
A	.535/13.6 <sup>+0</sup> <sub>0.1</sub> mm	0.75~1.25
B	.539/13.7 <sup>+0</sup> <sub>0.1</sub> mm	1.25~2.0
C	.543/13.8 <sup>+0</sup> <sub>0.1</sub> mm	2.0~2.5

NOTE: TOLERANCES UNLESS OTHERWISE SPECIFIED: ± .012/0.3 (In/mm)