
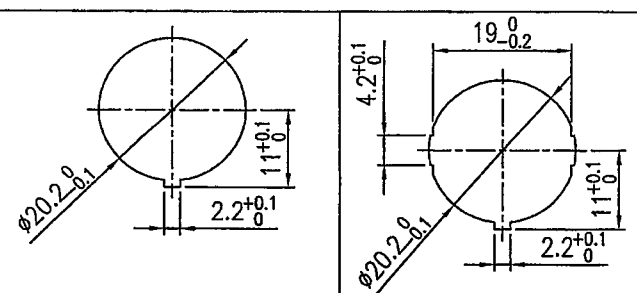

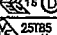
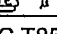
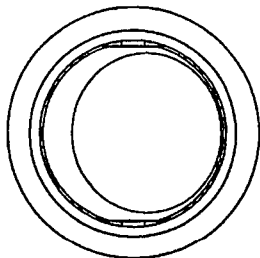
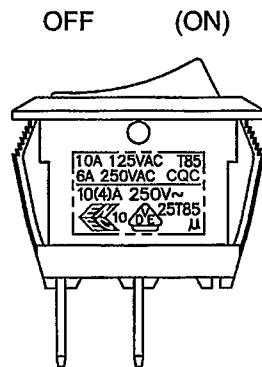
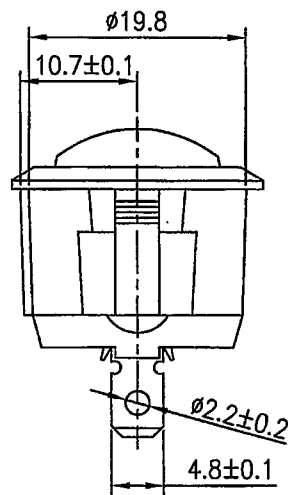
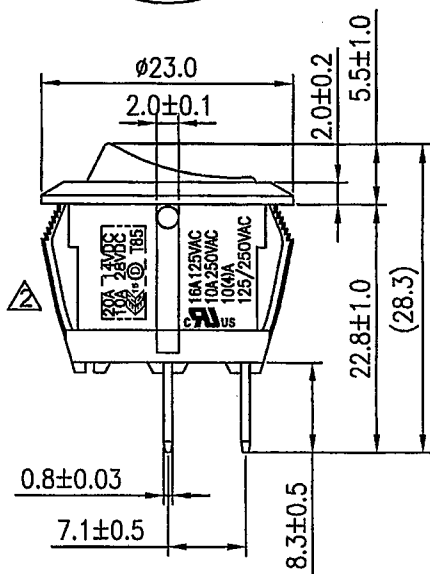
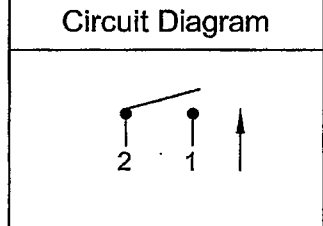


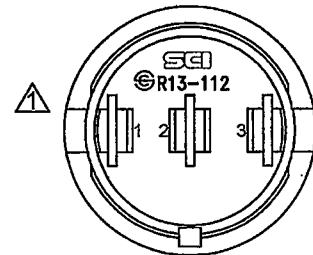
Rating	16A 125VAC, 10A 250VAC 	<div style="text-align: center;">Mounting Hole</div> 
	10(4)A 125/250VAC T85 	
	20A 14VDC, 10A 28VDC 	
	10(4)A 250V~ 	
	10A 125VAC, 6A 250VAC CQC T85	
Contact Resistance	50m ohm Max.	
Insulation Resistance	DC 500V 100M ohm Min.	
Dielectric Strength	AC 1500V 1 minute	
Operation Temperature	-25°C~85°C	
Switch Function	2P SPST (ON)-OFF	



Material:
 Frame: Nylon 66, Black
 Actuator: Nylon 66, Black
 Printed: None



原稿
 2018.4.24
 研發部



Tolerances ±0.3 Unless Otherwise Specified